

FIGURE 2

BASE CASE DISTILLATE BOILING POINT RANGE

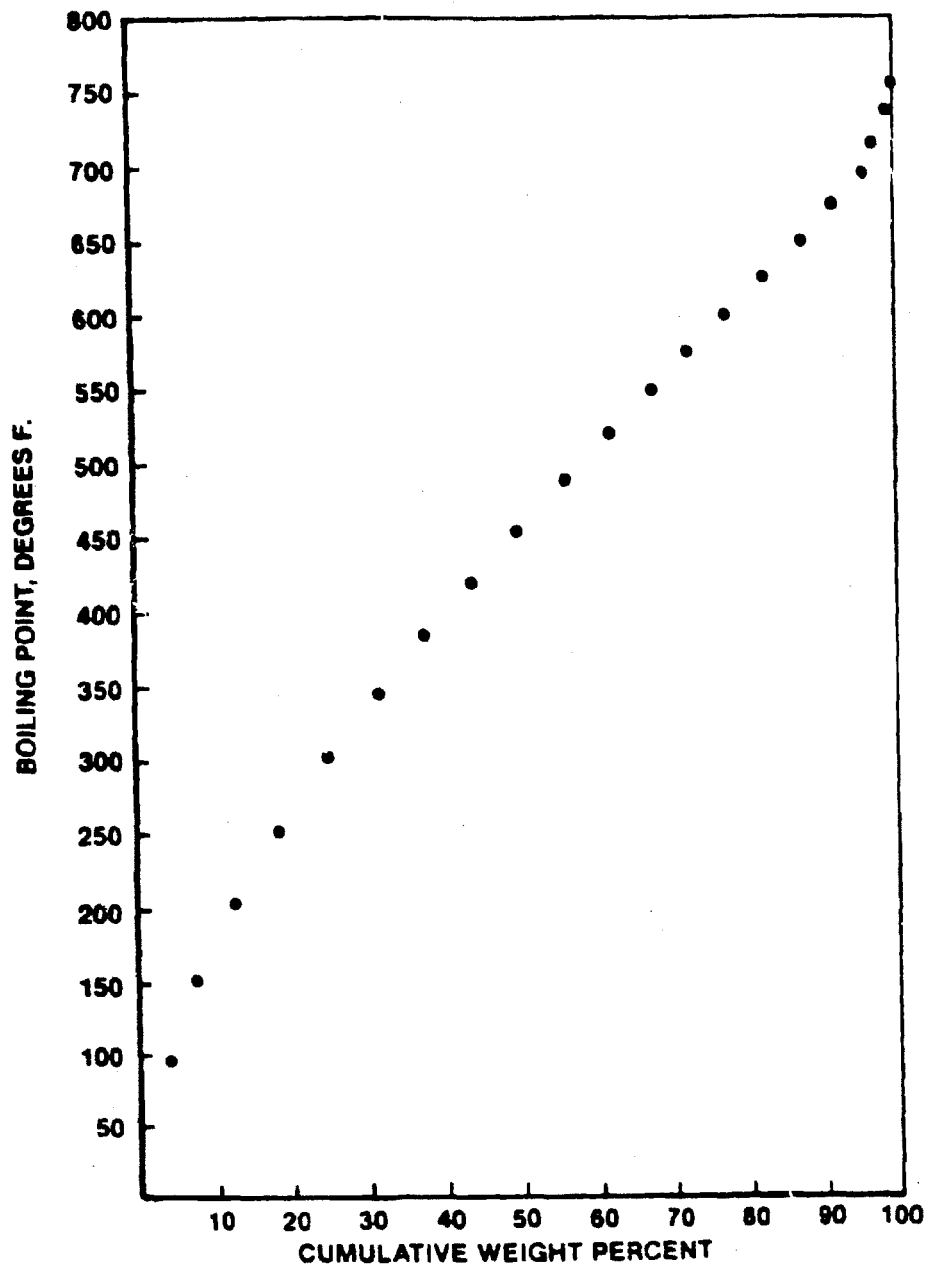
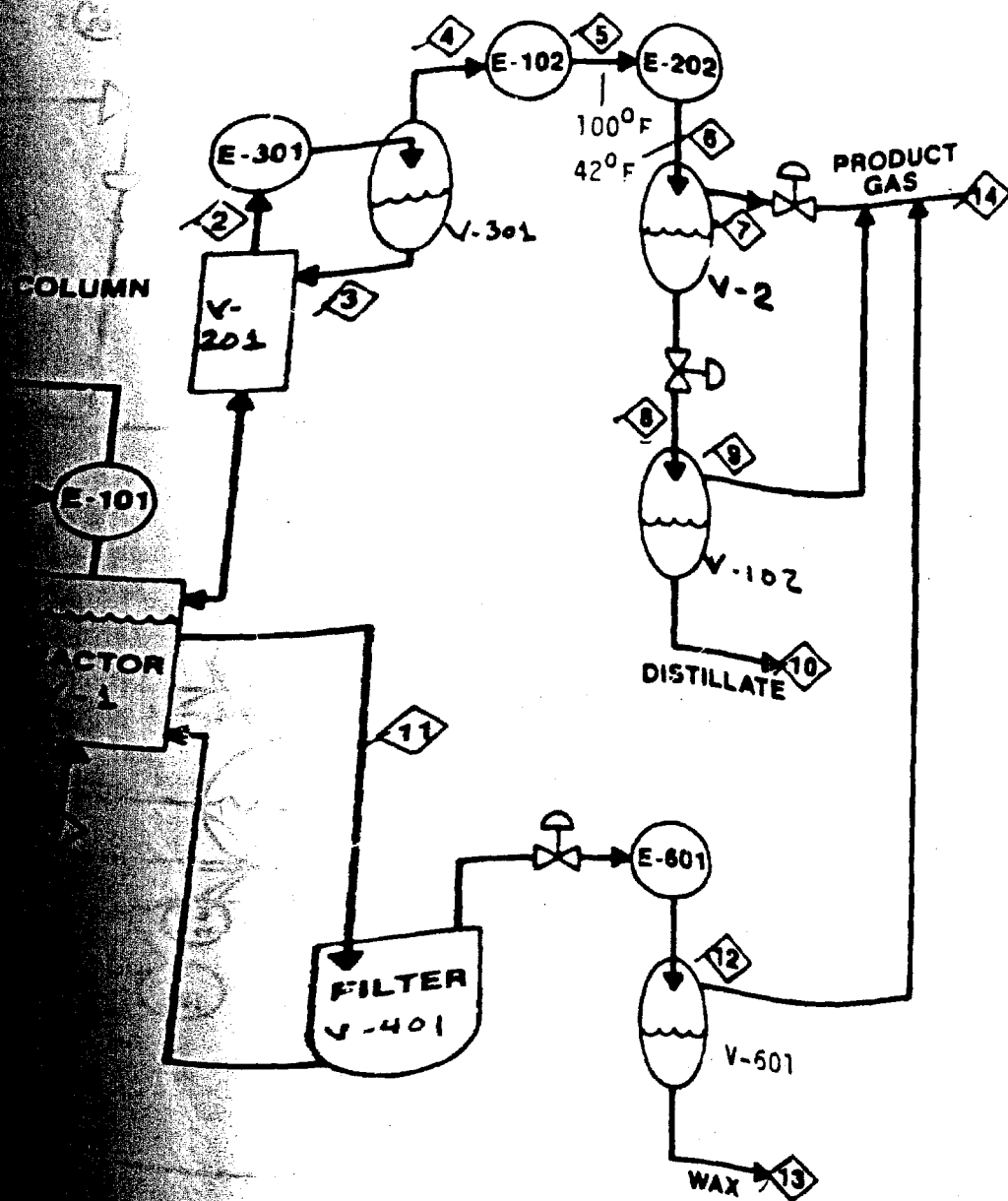


FIGURE 1
MATERIAL BALANCE FLOWSHEET



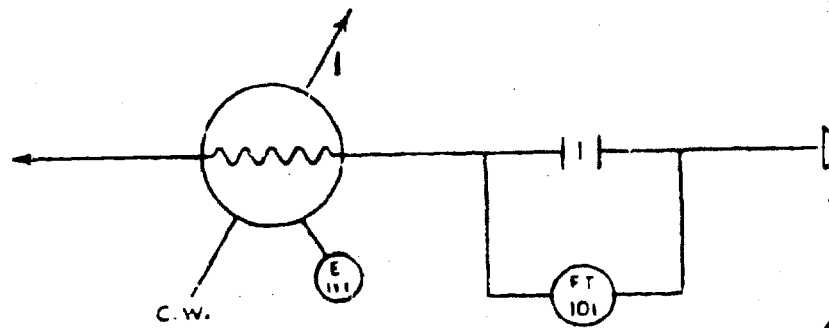
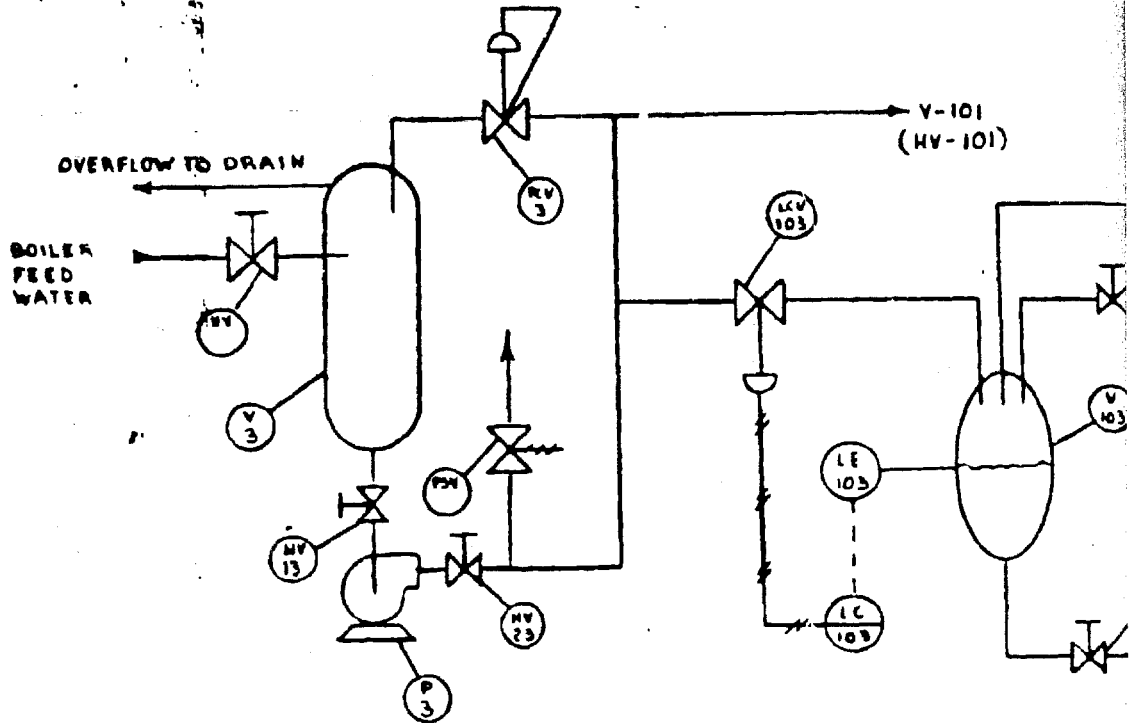
11

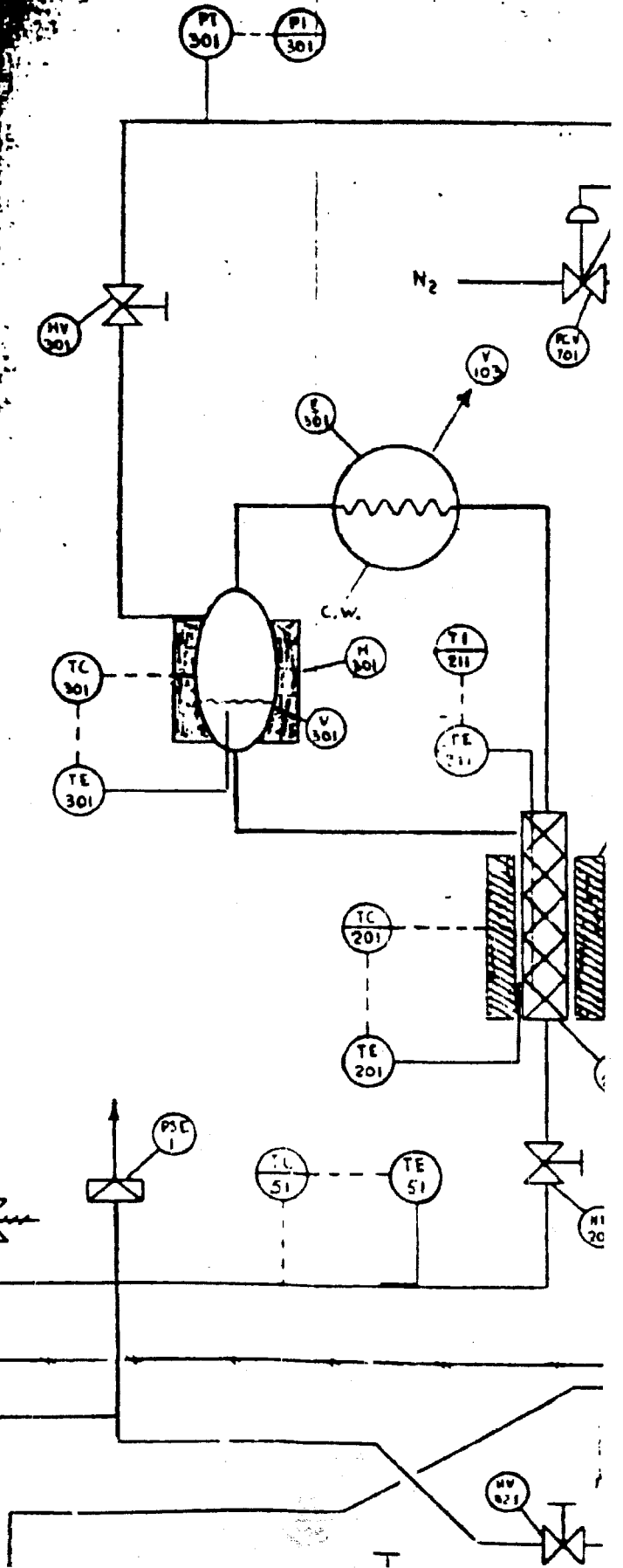
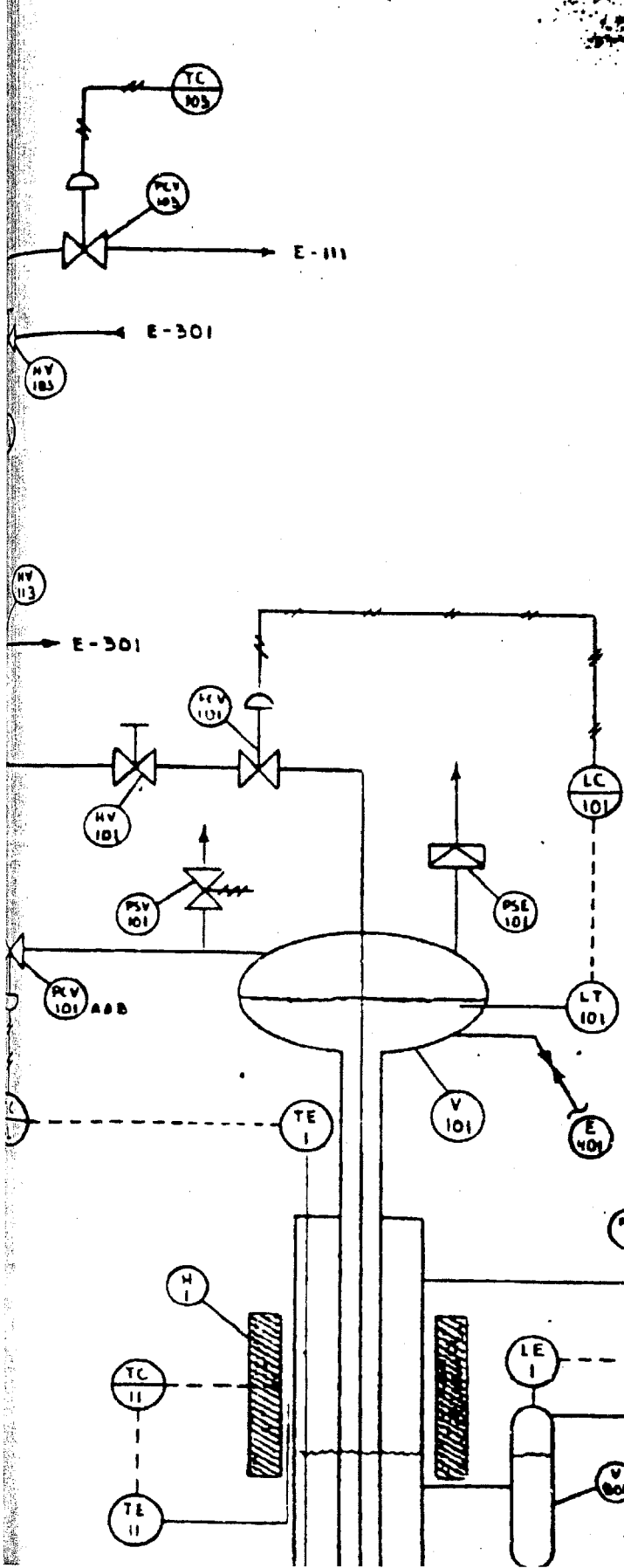
10

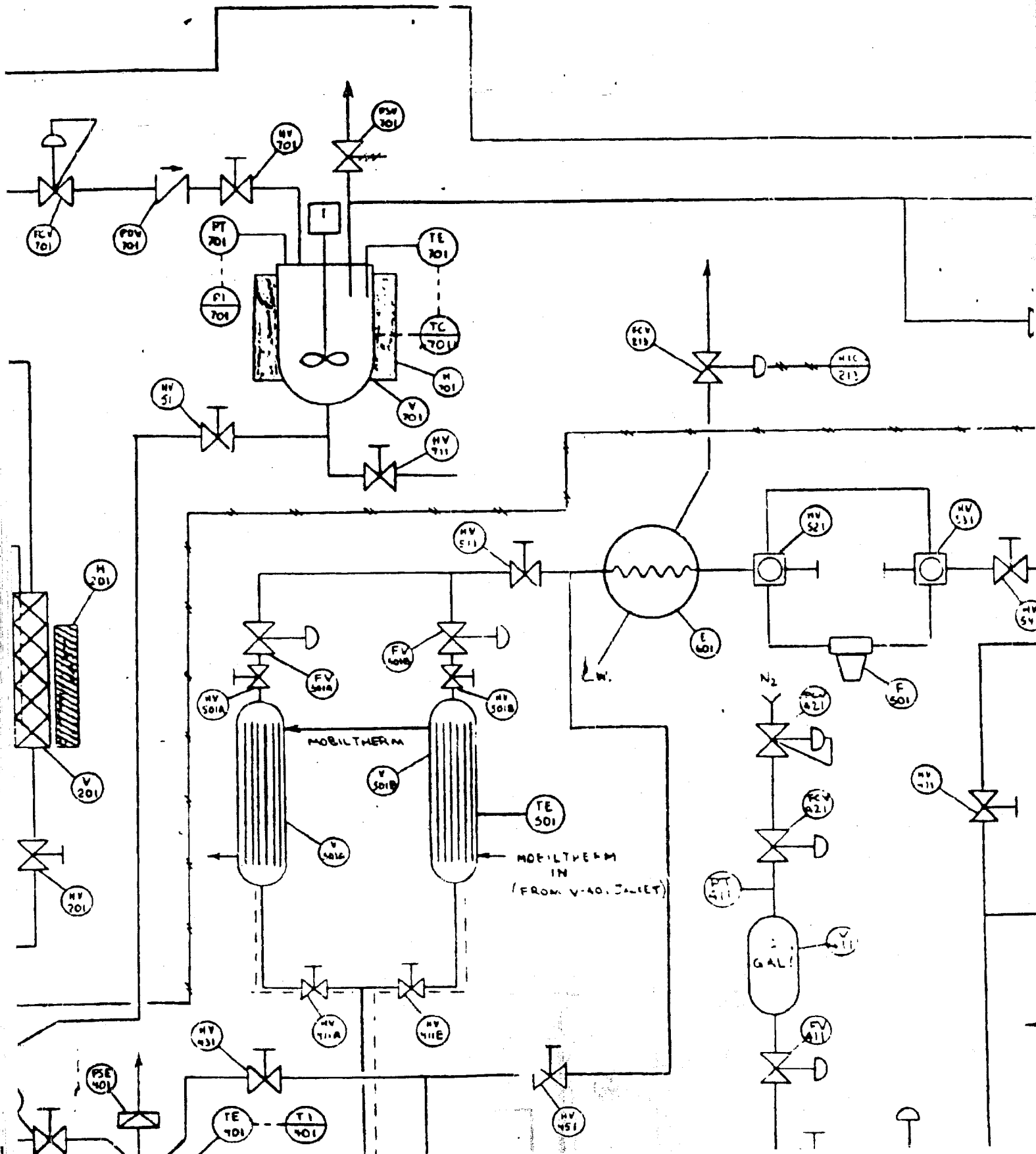
9

8

7

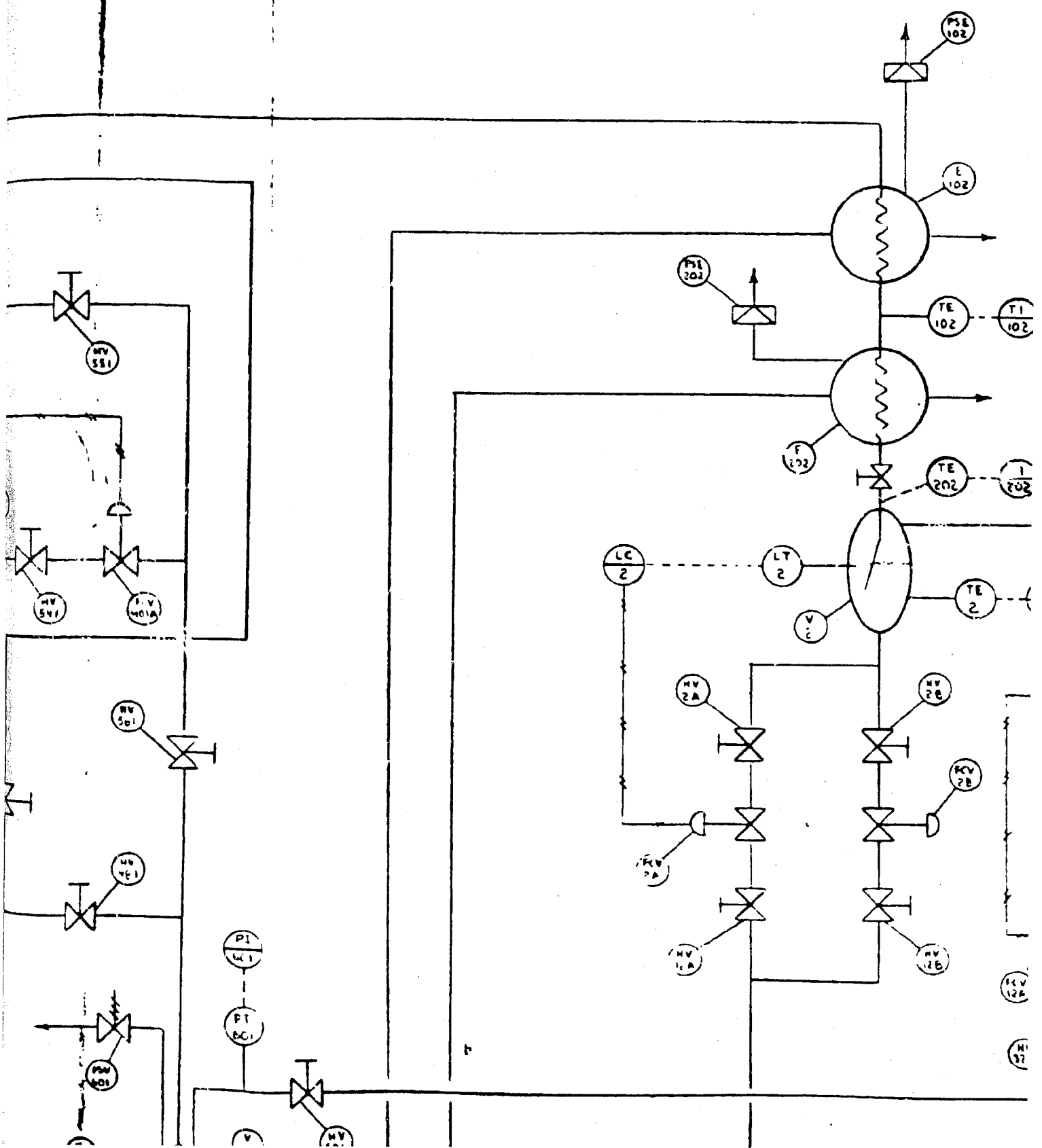






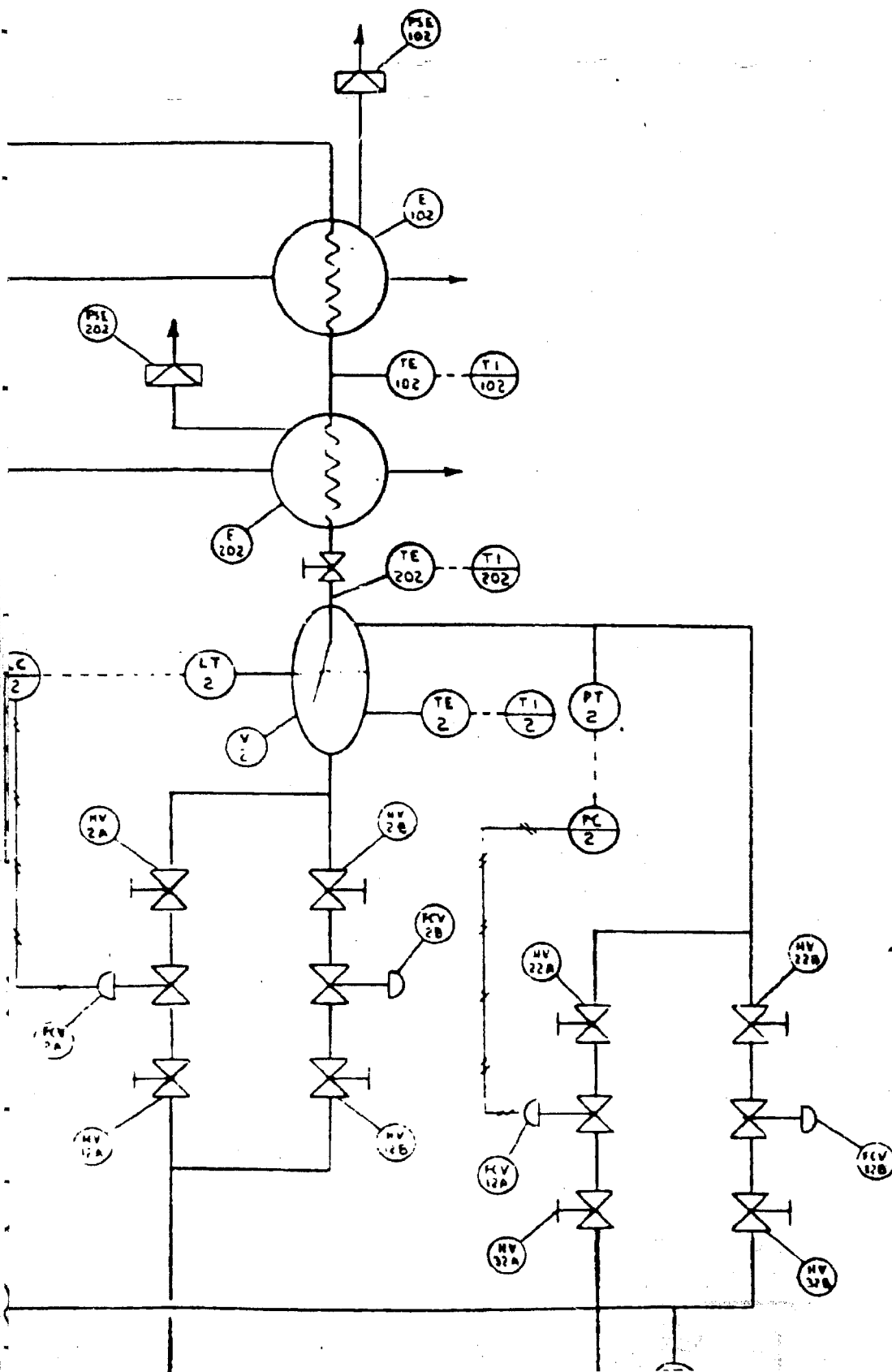
MATERIAL

PART NO.	MAT'L CODE NO.	QTY.	DIMENSIONS	REMARKS
----------	----------------	------	------------	---------



MATERIAL

DIMENSIONS	REMARKS	NOMENCLATURE
------------	---------	--------------



11

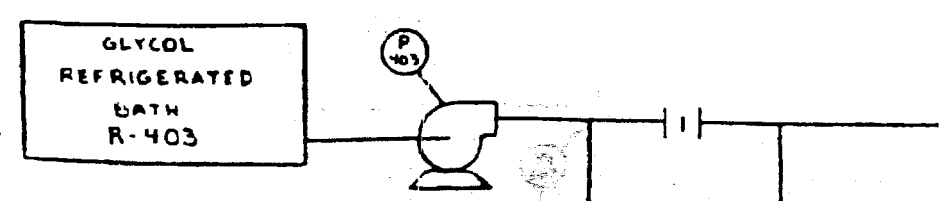
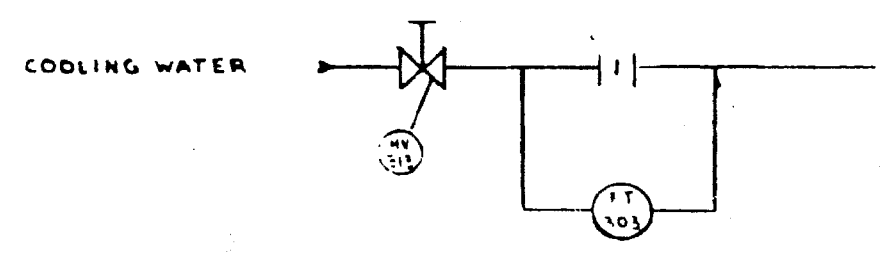
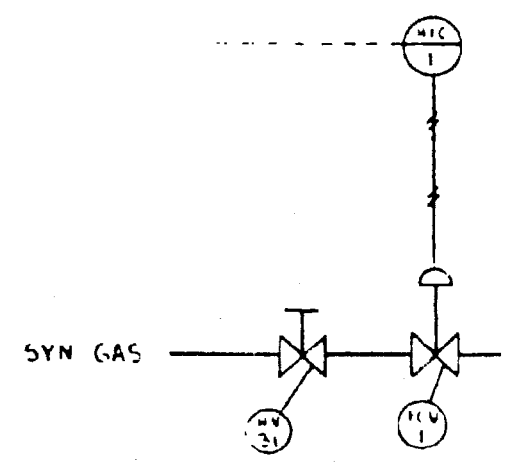
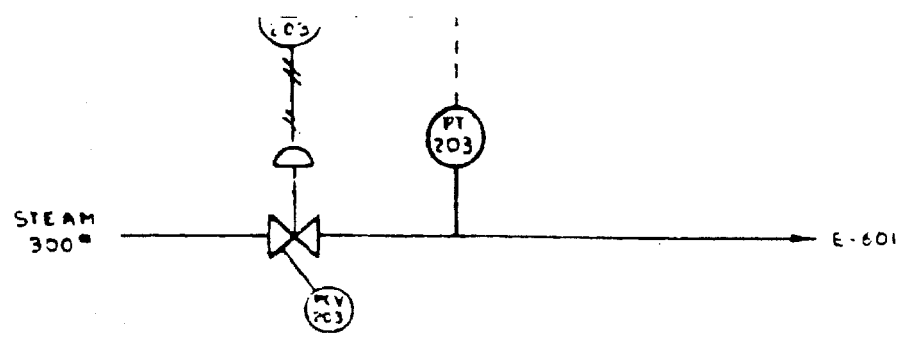
10

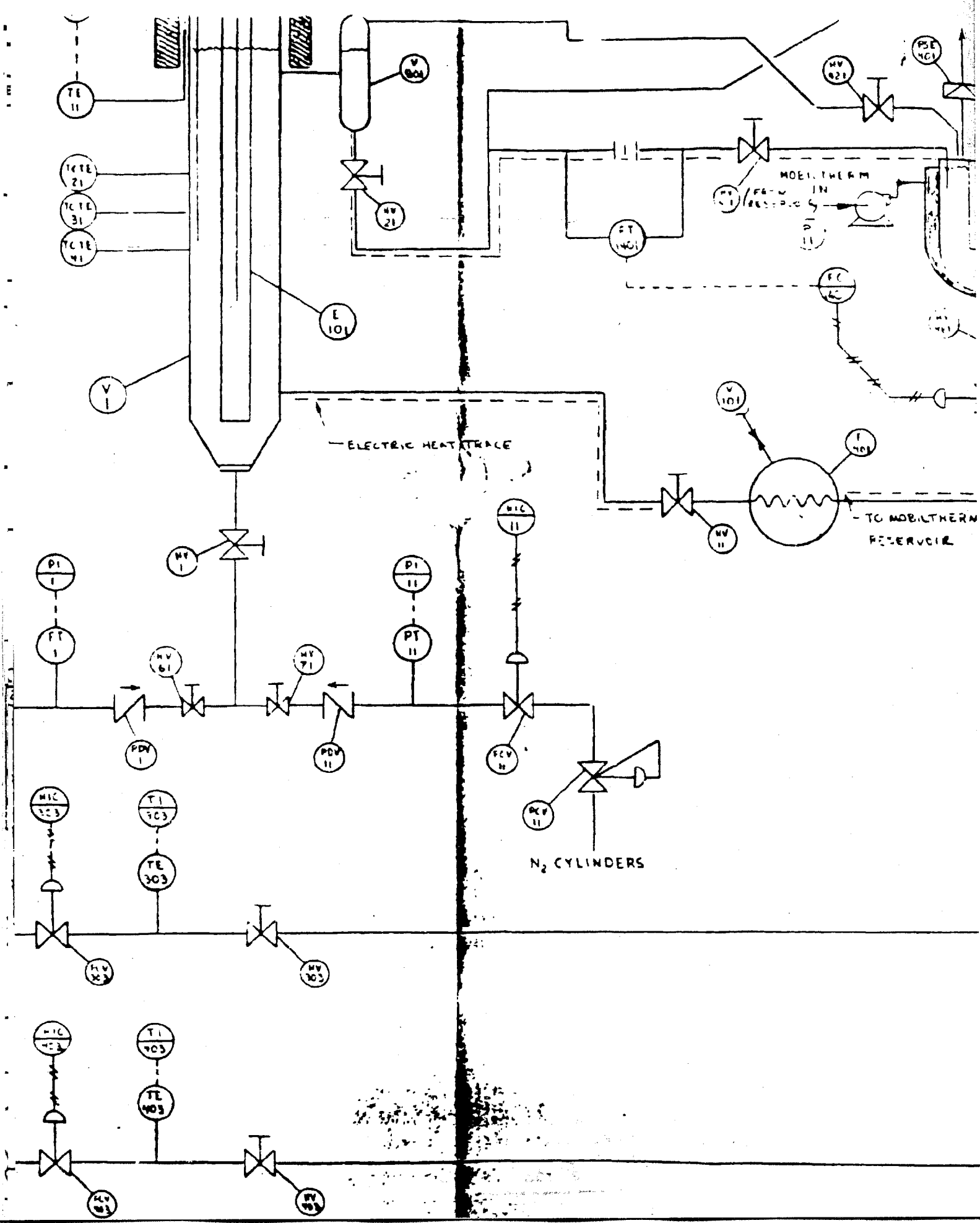
9

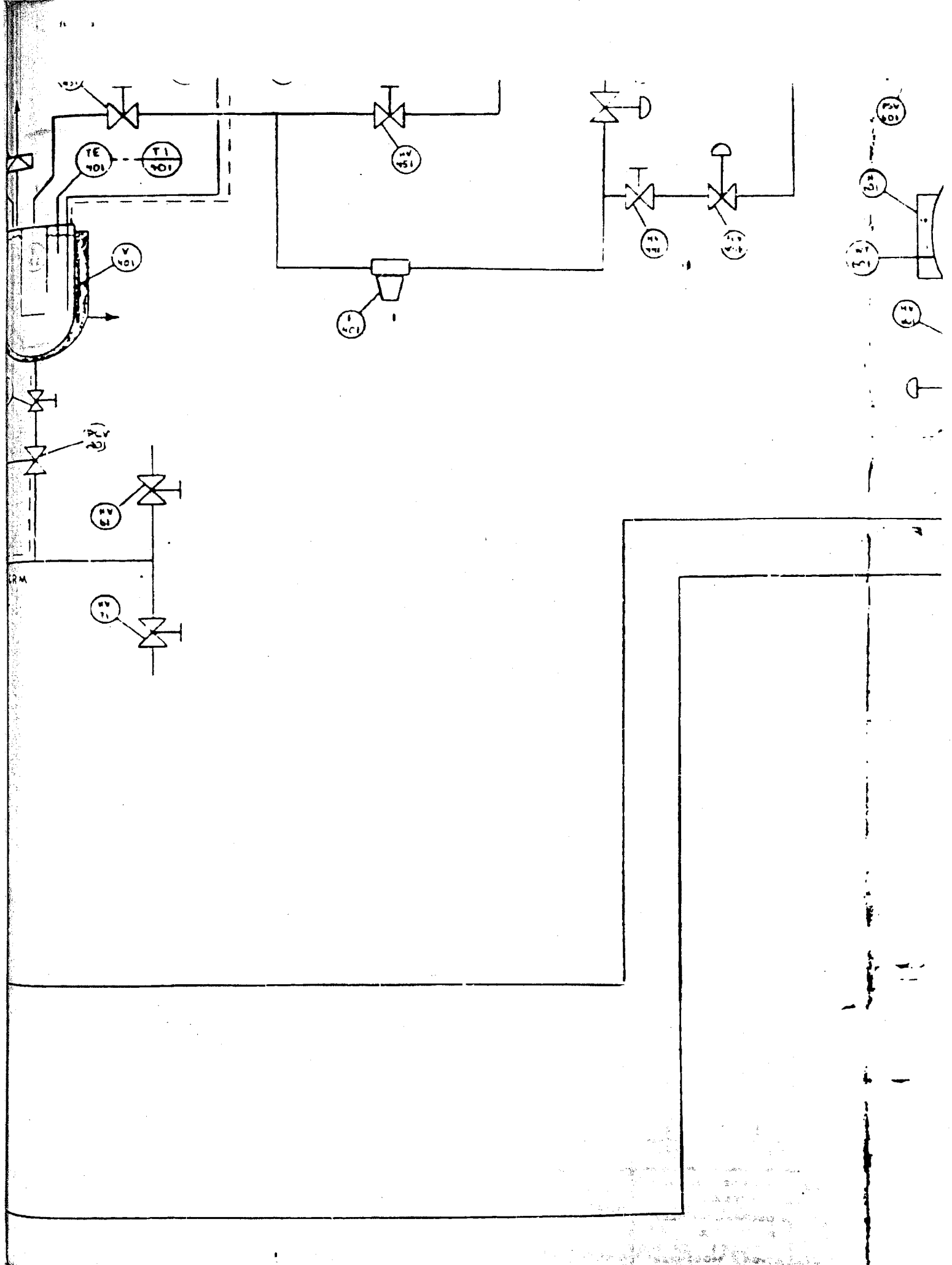
8

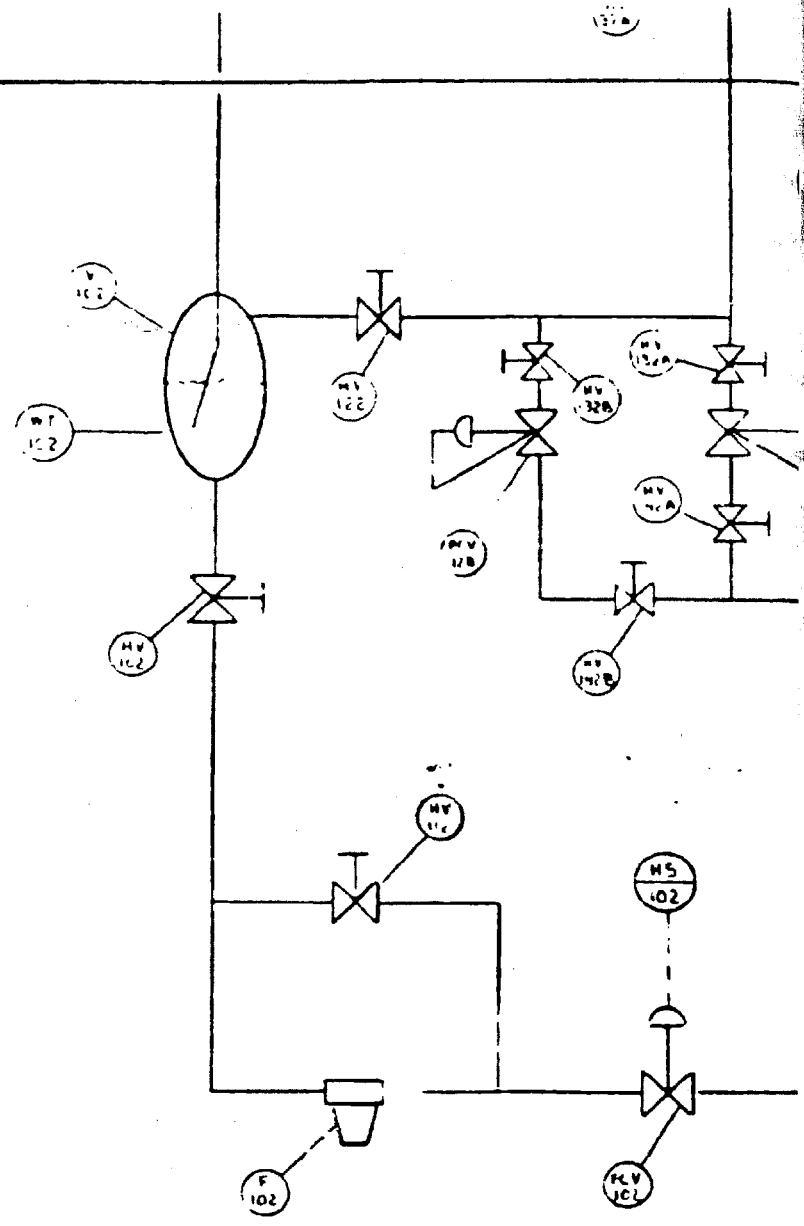
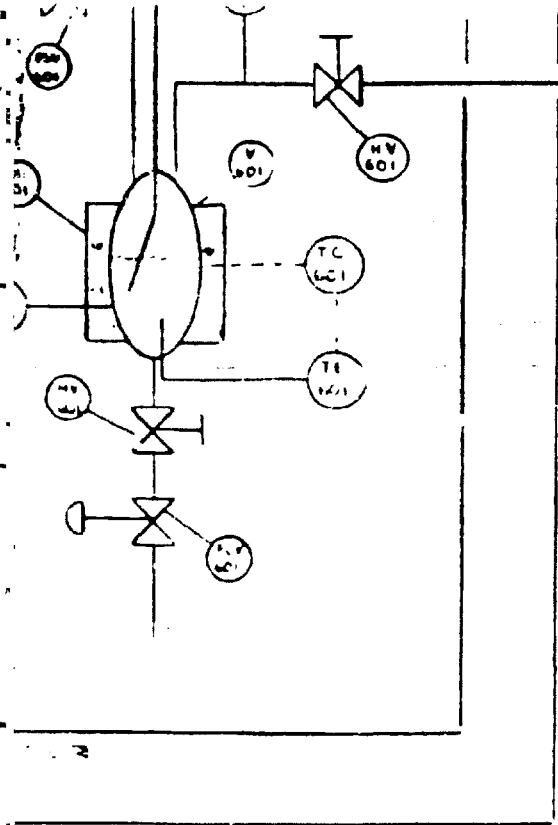
7

6
5
4
3
2

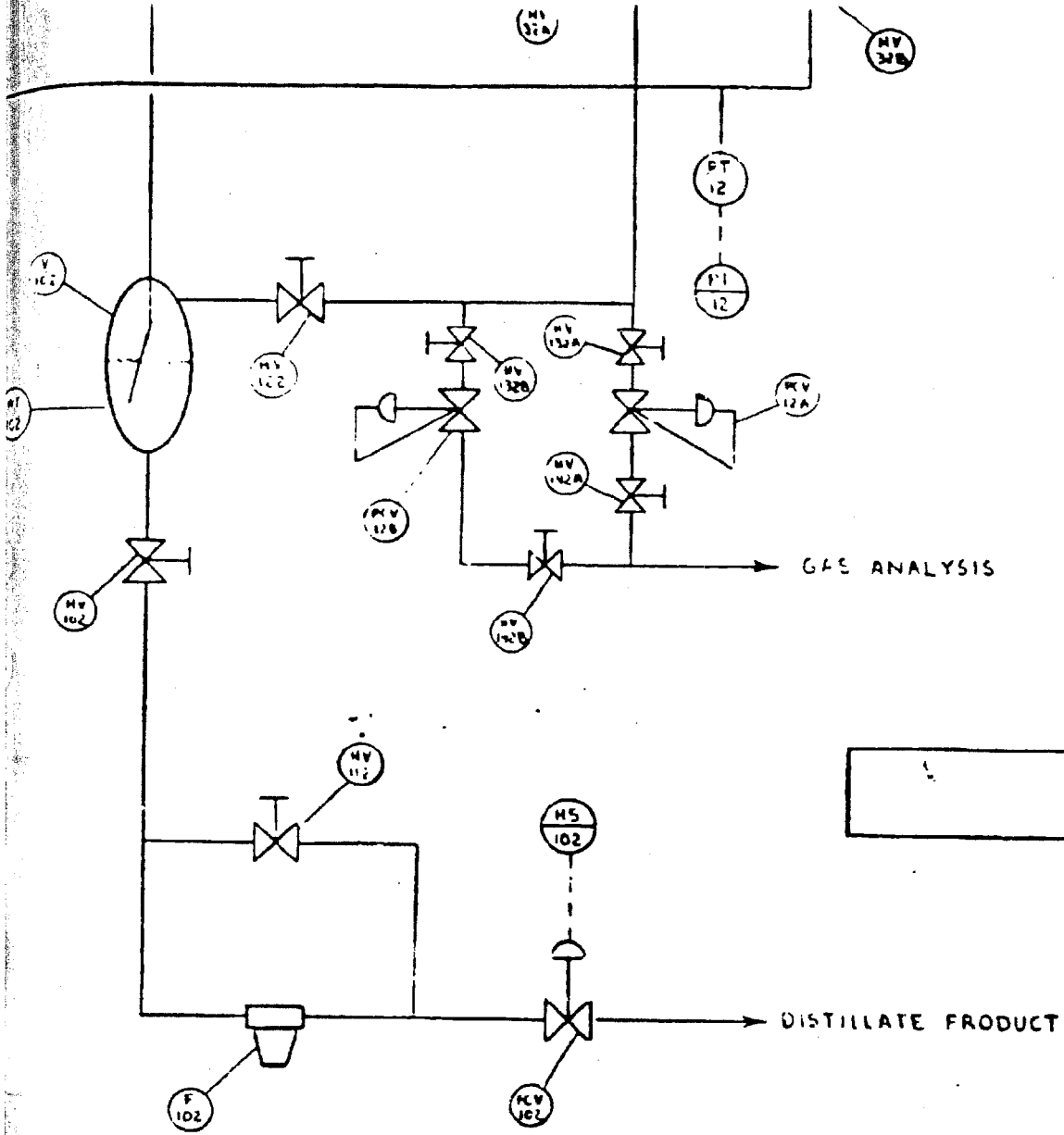




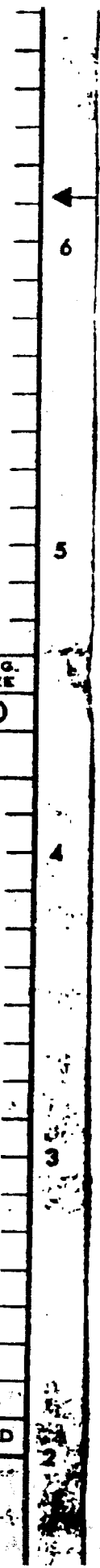




	1		
ECN.NO.	REV.	ZONE	REVISION DESCRIPTION
UNLESS OTHERWISE SPECIFIED TOLERANCES ARE FRACTION DECIMAL ANGLES		T.M GOSLING DRAFTSMAN	DATE 16 DEC 83
±	2	±	
NO. PLINATION HOLE SIZE		CHECKED	TITLE FISCHER-TROPSCH SYSTEM



DWG. SIZE
D



REVISION DESCRIPTION		DATE	BY	CHK'D	APPD
		6-10-86	MMK		

DATE
16 DEC 83

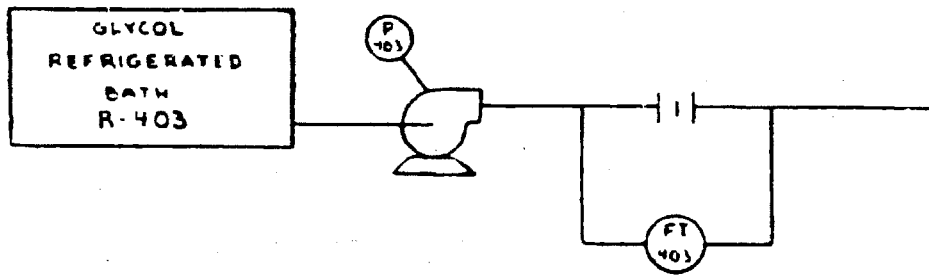
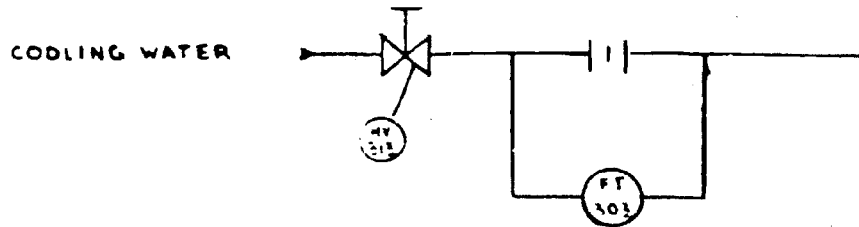
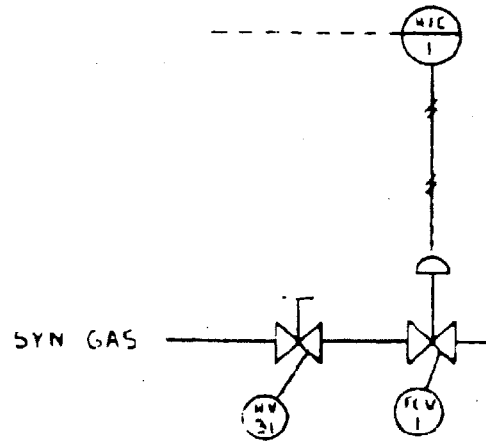
TITLE
FISCHER-TROPSCH
SYSTEM

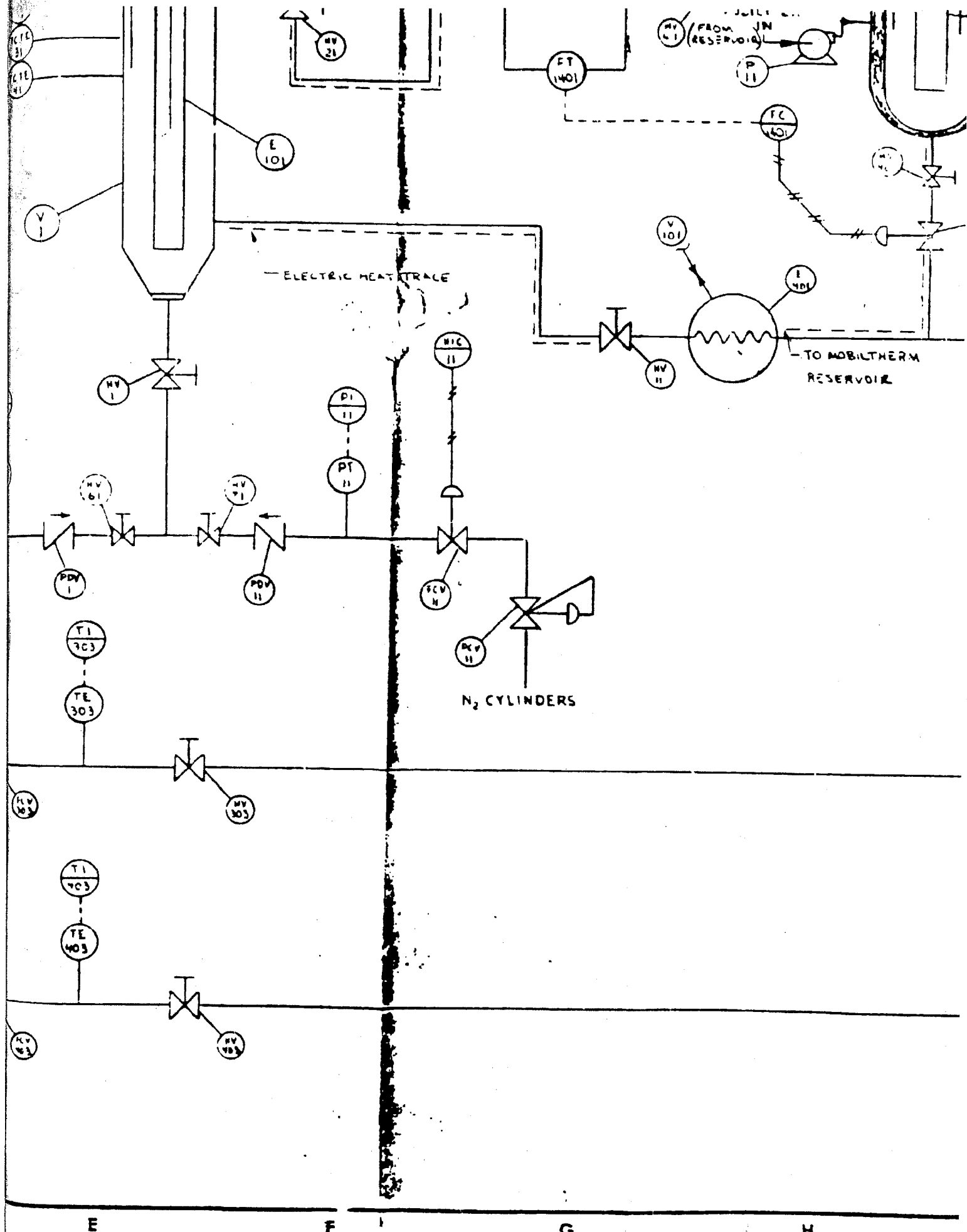
AIR PRODUCTS,
AND
CHEMICALS, INC.

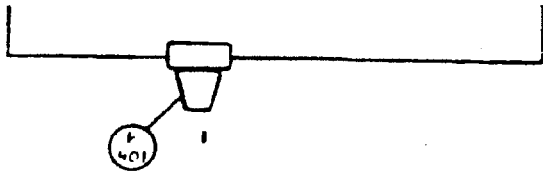
Handwritten notes in the left margin.

6
5
4
3
2
1

REV 203

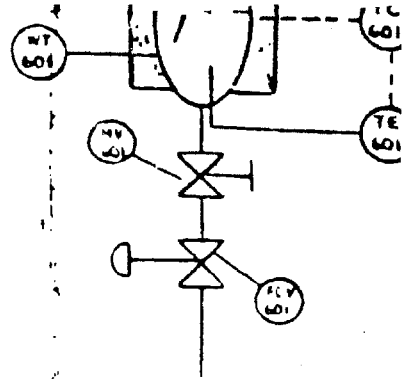






104

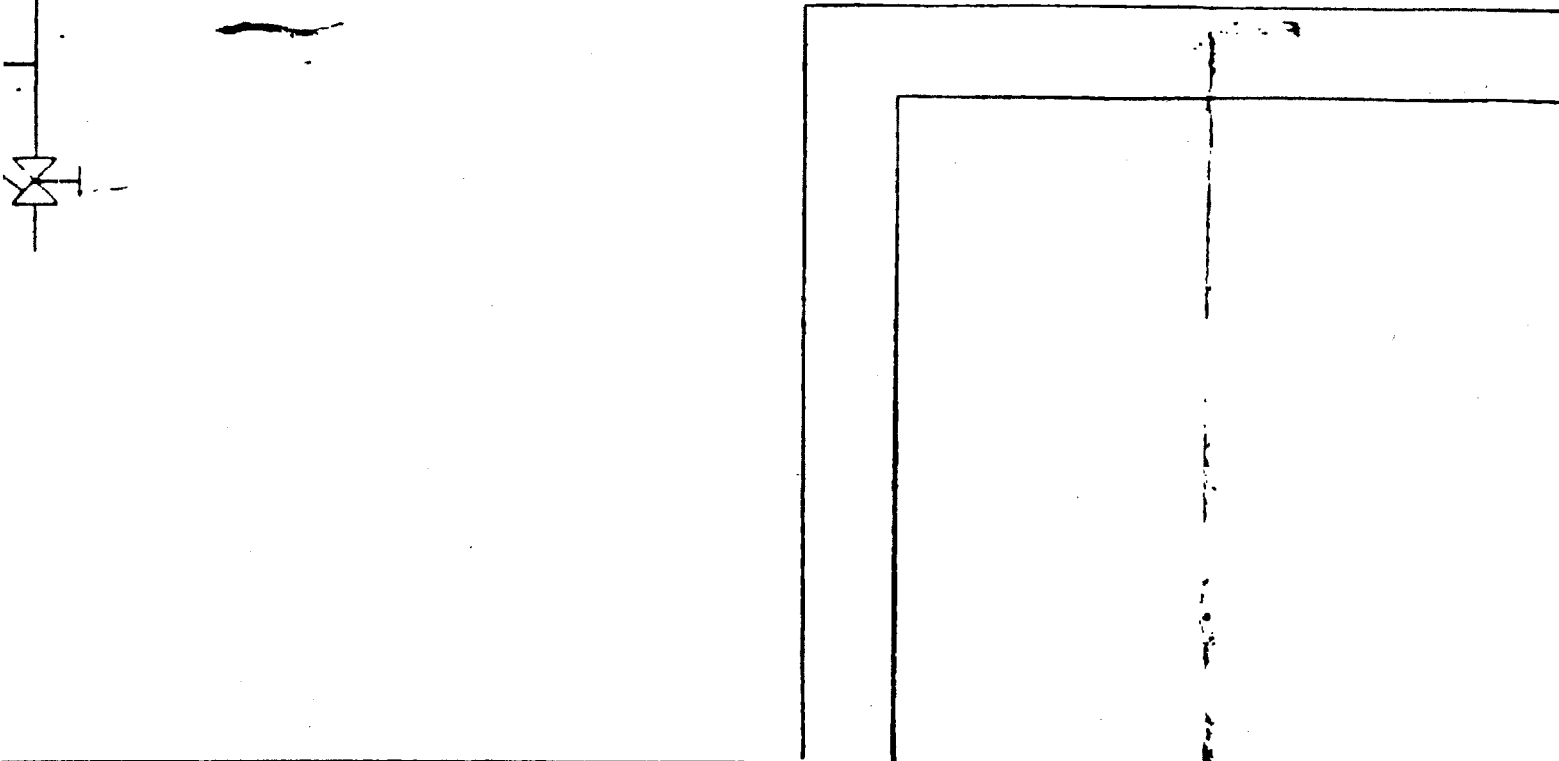
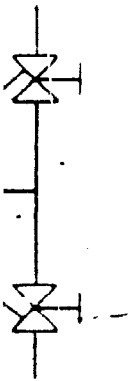
104



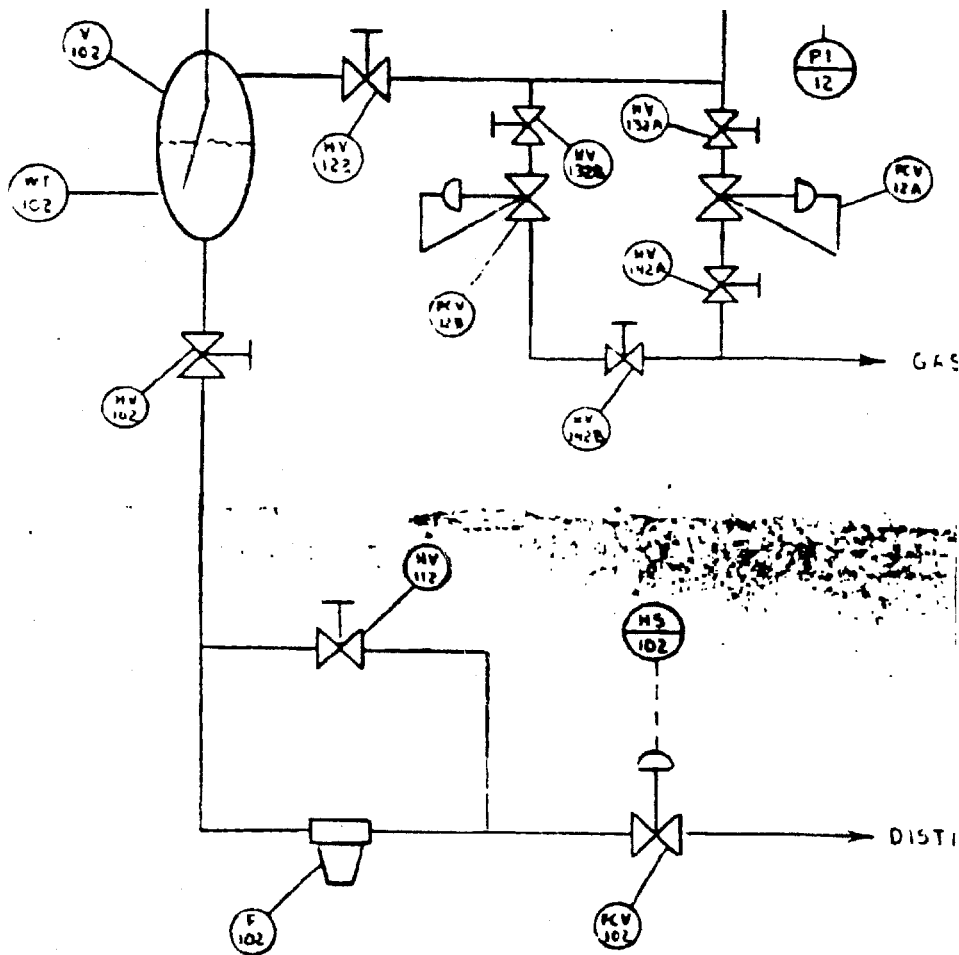
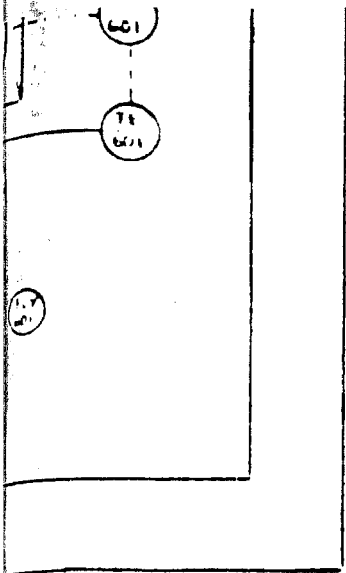
WT 601

104

104



ECN NO.
UNLESS BY TOLI
FRACTION 2
HOLE LOC. 2
FIRST USED

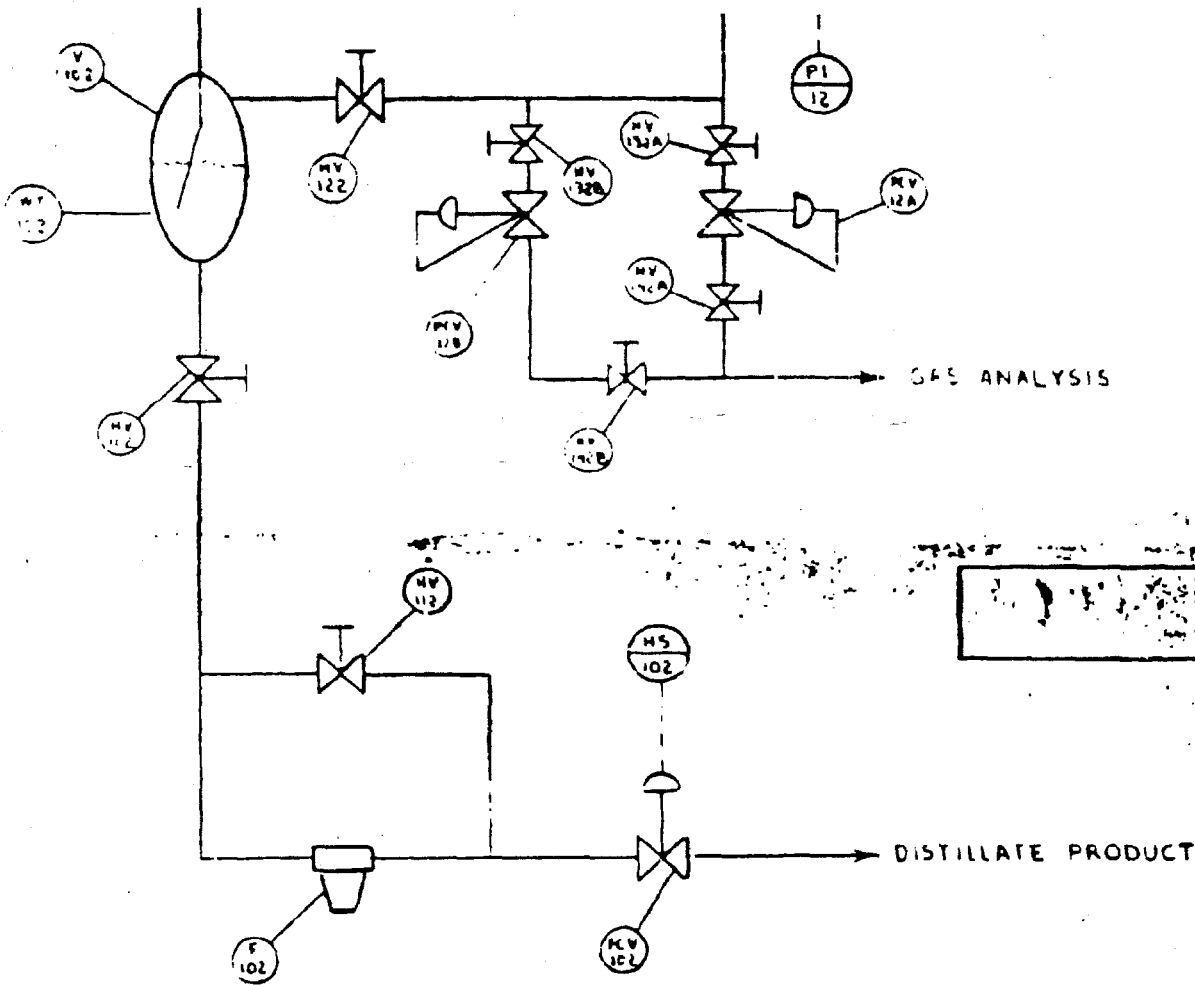


	1			

ECN NO. REV. ZONE REVISION DESCRIPTION

UNLESS OTHERWISE SPECIFIED TOLERANCES ARE FRACTION DECIMAL ANGLES 2 1 1 HOLE LOCATION HOLE SIZE 2 1	T.M. GOSLING DRAFTSMAN	DATE 16 DEC 83	TITLE FISCHER-TROPSCH SYSTEM	AI CH ALI
	CHECKED			
	ENGINEER			
	APPRO'D			
FIRST USED ON			SCALE	WT.

N P R S

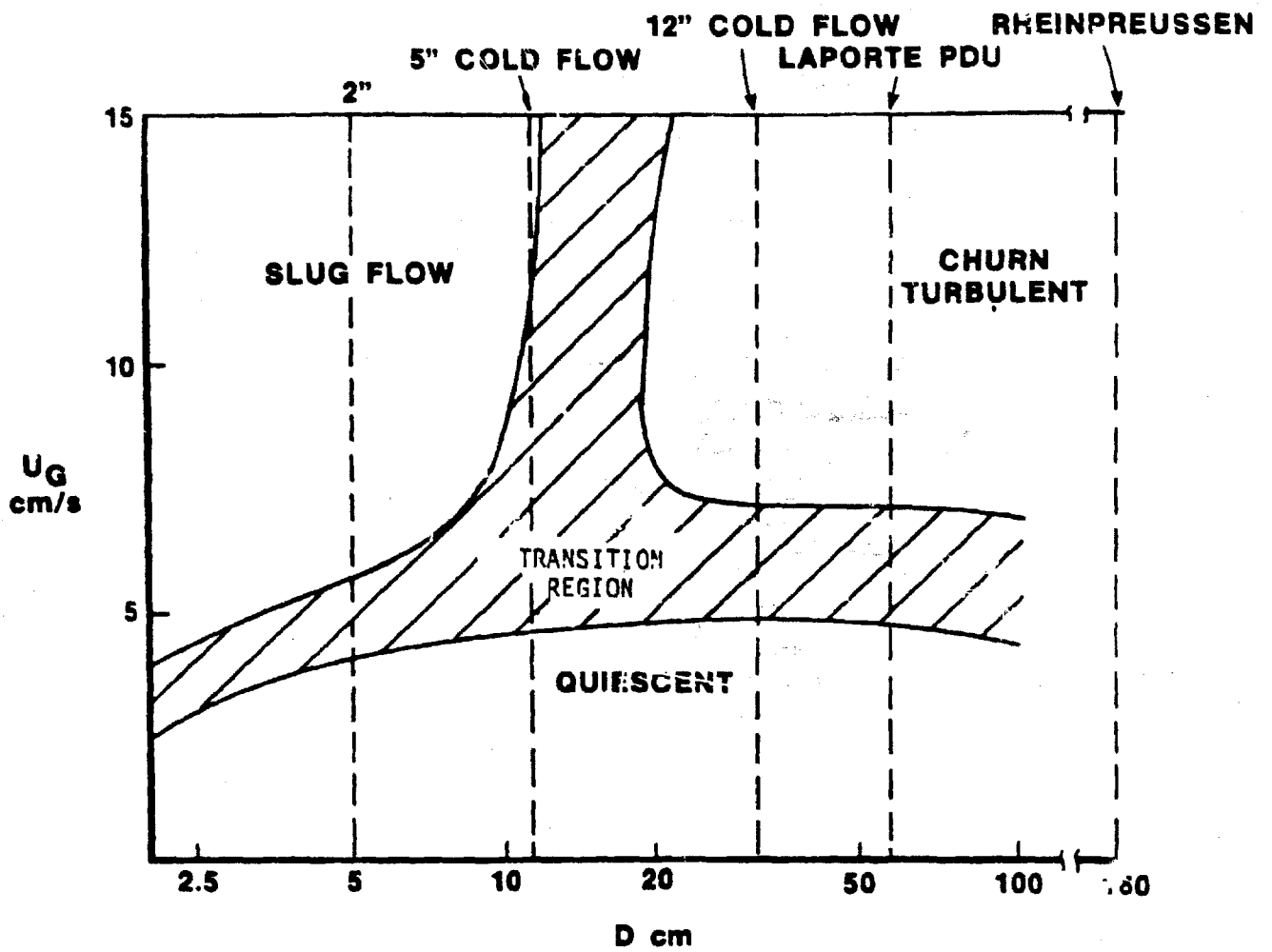


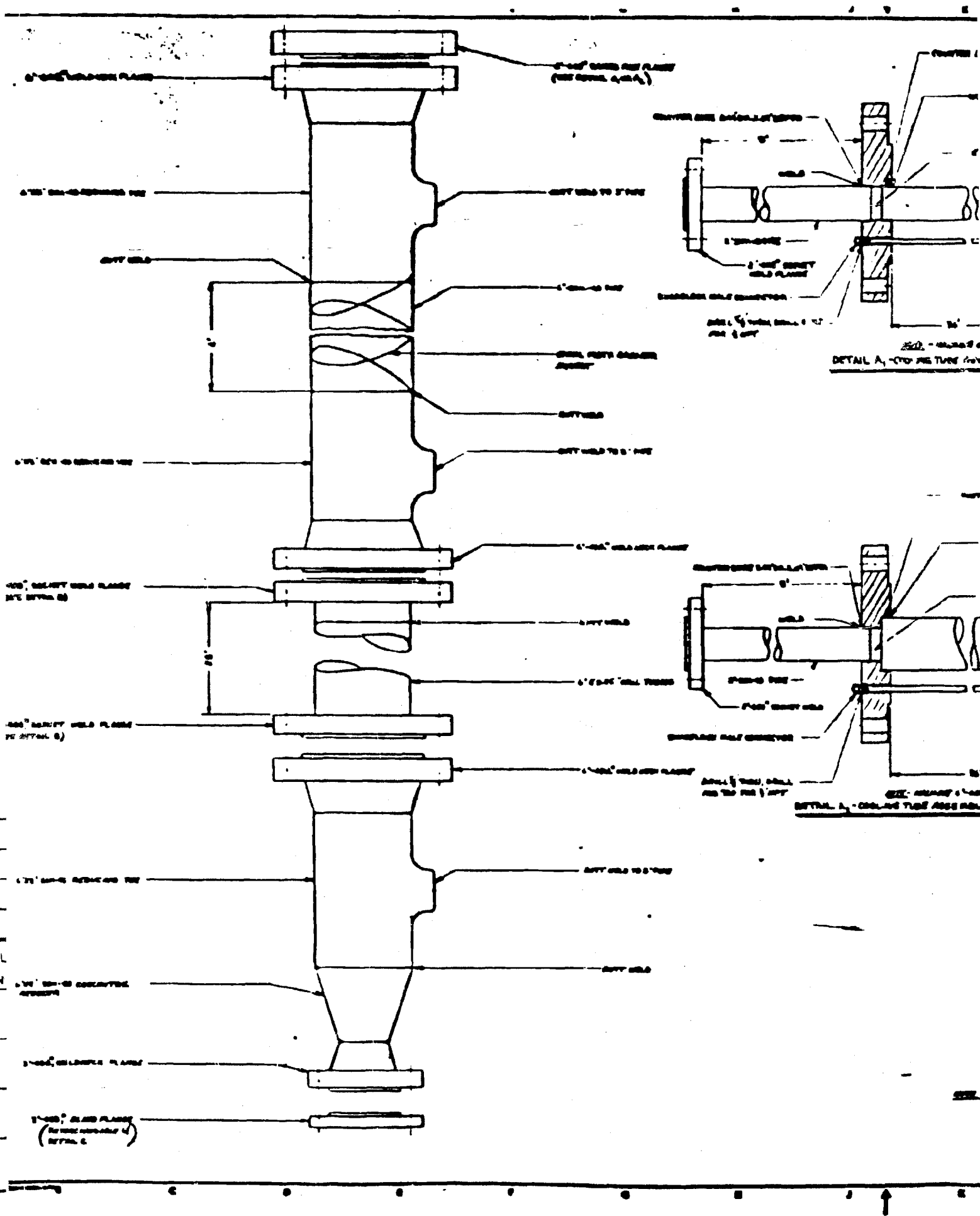
DWG. SIZE
D

			6-10-86	MMK	

REVISION DESCRIPTION		DATE	BY	CHK'D	APPD
LINE	DATE	TITLE			
	16 DECE 83	FISCHER-TROPSCH SYSTEM			
		AIR PRODUCTS, AND CHEMICALS, INC. ALLENTOWN, PENNSYLVANIA			
		00-3-4312 A			D
		SCALE	WT.		

FIGURE 4
BUBBLE COLUMN
FLOW REGIMES





4" DIA. BELLOWS FLANGE

4" DIA. BELLOWS FLANGE
(SEE DETAIL A, FIG. 1)

4" DIA. BELLOWS FLANGE

WELD TO 5" DIA.

WELD

4" DIA. WELD

4" DIA. BELLOWS FLANGE

WELD

4" DIA. BELLOWS FLANGE

WELD TO 5" DIA.

4" DIA. BELLOWS FLANGE
(SEE DETAIL B)

4" DIA. BELLOWS FLANGE

WELD

4" DIA. BELLOWS FLANGE

4" DIA. BELLOWS FLANGE
(SEE DETAIL B)

4" DIA. BELLOWS FLANGE

4" DIA. BELLOWS FLANGE

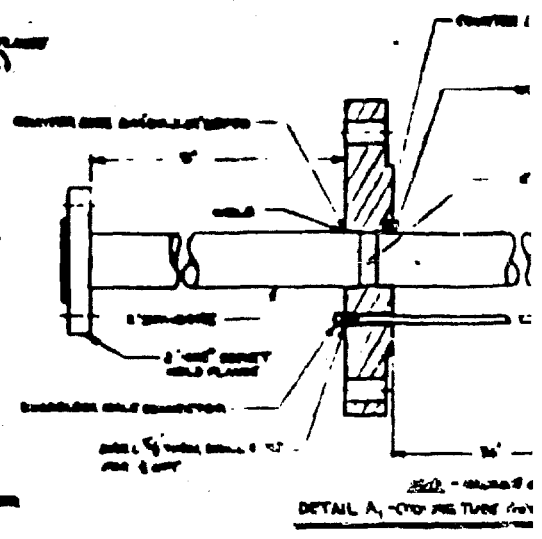
WELD TO 5" DIA.

4" DIA. BELLOWS FLANGE

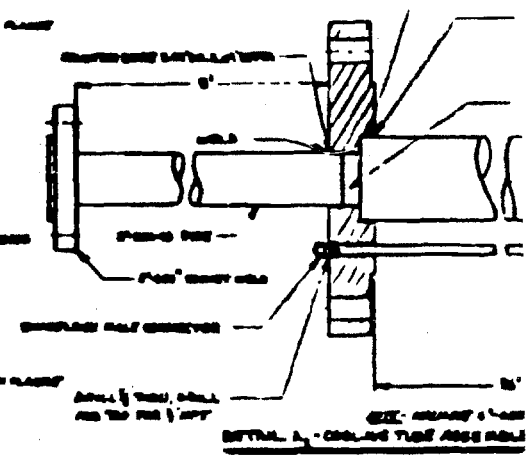
WELD

4" DIA. BELLOWS FLANGE

4" DIA. BELLOWS FLANGE
(SEE DETAIL C)

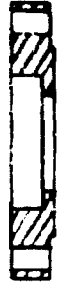


DETAIL A, - COLLING TUBE ASSEMBLY



DETAIL A, - COLLING TUBE ASSEMBLY

MATERIAL				
REFL. CODE NO.	QTY.	DESCRIPTION	REMARKS	INITIALS



REFL. CODE NO. QTY. DESCRIPTION REMARKS INITIALS

INITIALS



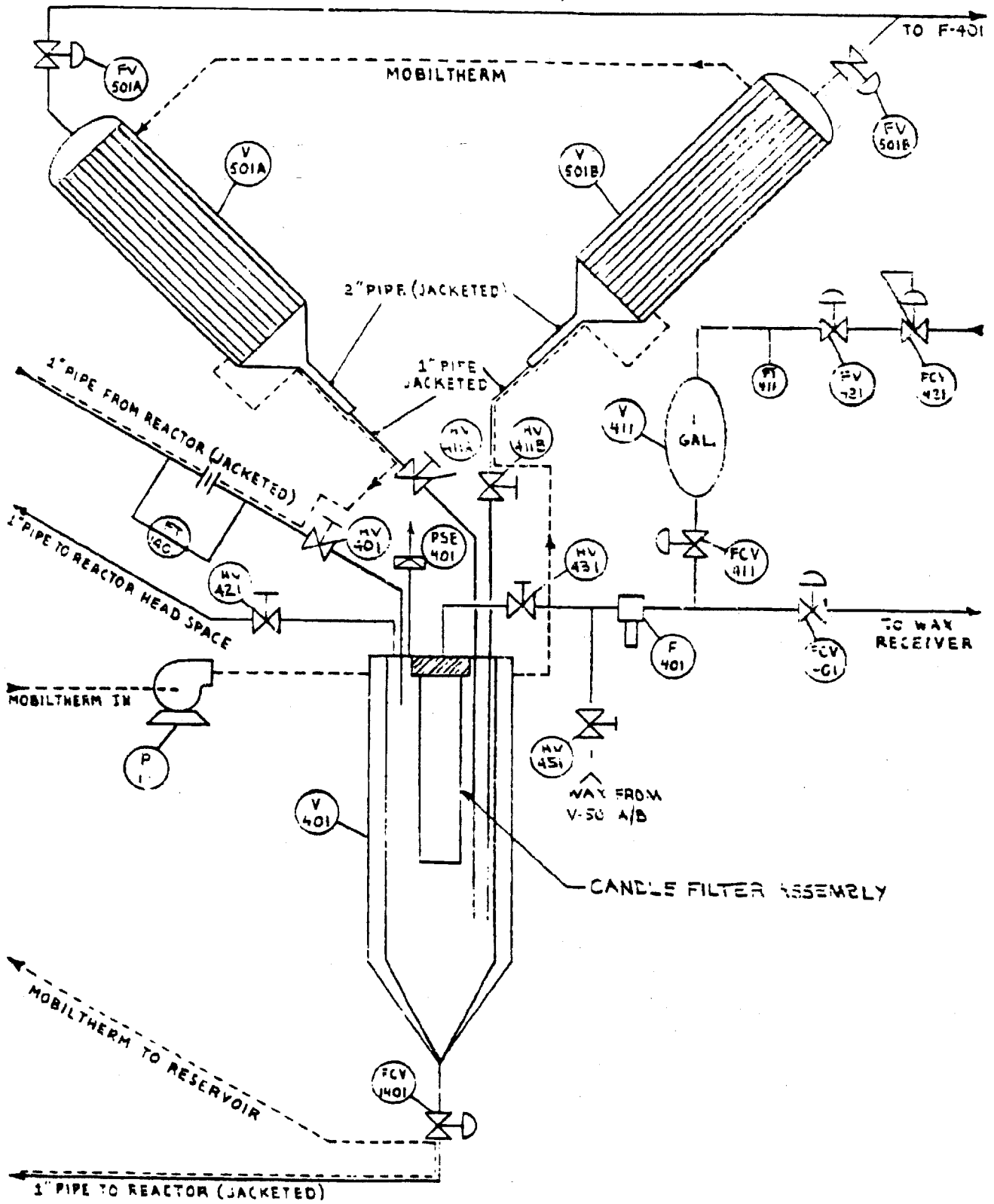
REFL. CODE NO. QTY. DESCRIPTION REMARKS INITIALS

INITIALS

REFL. CODE NO.	QTY.	DESCRIPTION	REMARKS	DATE	BY
		REACTOR			
AIR PRODUCTS AND CHEMICALS INC.			ALABAMA, U.S.A.		
			(IA)	00-3-4312 B	D

REPRODUCED FROM BEST AVAILABLE COPY

FIGURE 6
WAX WITHDRAWAL SYSTEM
 (SIMPLIFIED)



DRWG. REV - 6-10-86