

## VOLUME I

### APPENDIX A. - ORGANIZATION OF SYNTHETIC FUELS TASK FORCE

The President, in his January 1975 State of the Union Message, unveiled a comprehensive energy program designed to provide balance between energy demand and domestic energy supply. Under this program, the Nation's vast coal and oil shale resources would provide a major contribution to future energy supplies. As part of this comprehensive program, the President:

"...established a goal of 1 million barrels of synthetic fuels and shale oil production by 1985 together with an incentive program to achieve it..."

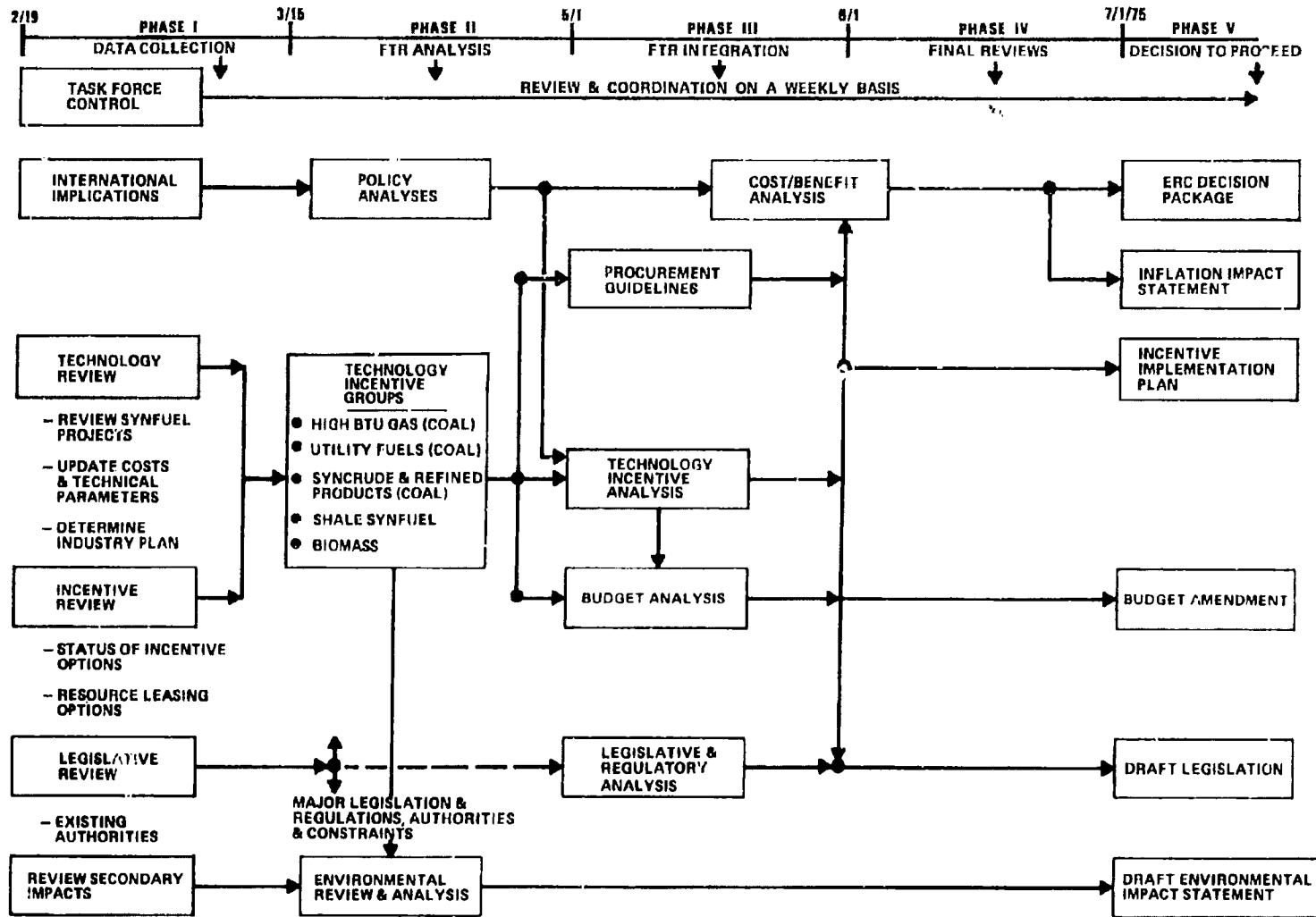
In response to the President's goal, the Office of Management and Budget organized an interagency task force in February 1975 to:

- evaluate the overall costs and benefits of each alternative program from a national viewpoint including such factors as direct financial cost to government, opportunity cost, environmental and social impacts, macro-economic and distributional effects, national security/insurance benefit; and
- develop detailed incentive program plans to ensure several alternative levels (including 1 million barrels per day) of synthetic fuels capacity by 1985;
- recommend a preferred program level option and develop the details necessary for expeditious implementation.

The results of the Synfuels Interagency Task Force are presented in four volumes:

- I. Overview with Detailed Executive Summary
- II. Cost/Benefit Analysis
- III. Technology and Recommended Incentives
- IV. Preliminary Draft Environmental Impact Statement

The draft reports were prepared over the period February 19, 1975, to July 11, 1975, in four broad phases. The final report was completed in early October after interagency and ERC review. The overall activity schedule is depicted in Figure A-1; major tasks are presented in Table A-1. As indicated, initial effort was devoted to the collection of data specifically related to synthetic fuels commercialization. Phase II involved



A2

FIGURE A-1 SYNTHETIC FUELS COMMERCIALIZATION PROGRAM FLOW CHART OF MAJOR TASKS

Table A-1. Synthetic Fuels Commercialization Program  
Major Task/Task Group

Phase I	<u>Data Collection</u>			
	Critical Review of Synfuels Projections	2/19	3/14	NSF
	Updating Sunfuel Cost and Technical Parameters	"	"	ERDA
	Determine Current Status of Industry Plans	"	"	FEA
	Status of Consideration of Incentive Options	"	"	FEA
	Review of Secondary Impacts	"	"	DOI
	Potential of Energy Resource Leasing Options	"	"	DOI
	International Implications of Synfuels Commercialization	"	"	STATE
	Legislative and Regulatory Review	"	"	FEA
	Task Force Control	"	"	OMB
Phase II	<u>Analysis</u>			
	Task Force Control	3/15	4/30	OMB
	Technology and Incentive Analysis			
	• High Btu gas from coal	"	"	
	• Utility/Industrial fuels	"	"	
	• Syncrude from coal	"	"	
	• Shale Oil	"	"	
	• Biomass	"	"	
	Environmental Analysis	"	"	
	Policy Analysis	"	"	
	Procurement Analysis	"	"	
Phase III	<u>Integration of Analyses</u>			
	Task Force Control	5/1	5/31	OMB
	Incentive Cost Analysis	"	"	
	Policy Analysis			
	• Program Benefits and Costs	"	"	
	• Environmental Impacts	"	"	
	• Budget Impacts	"	"	
	• Legislation Required	"	"	
	• Procurement Guide Lines	"	"	
	• Organizational Options	"	"	
Phase IV	<u>Final Review/Recommendations</u>	6/1	6/30	
	Task Force Output			
	• Incentives and Implementation Plan			
	• Recommended Program Size			
	• Budget Amendments/Inflation Impact Statement			
	• Environmental Impact Statement			
Phase V	<u>Decision on Program Implementation</u>			

analysis of this information by individual Task Groups. Phase III and IV overlapped somewhat as the individual analyses prepared in Phase II were integrated into a comprehensive analysis, final review of the integrated program completed, and recommendations developed.

Membership on the Synthetic Fuels Task Force included all Federal agencies having an expressed interest in synthetic fuels development including most of the members of the Energy Resource Council. Membership of the Task Force is presented below:

A. EXECUTIVE COMMITTEE

Willim T. McCormick, Jr., Chairman Office of Management & Budget	Marvin Singer Council on Environmental Quality
Charles Dick Office of Management & Budget*	Edward Symonds Department of Treasury
Philip Drury Department of Commerce	Nicolai Timenes Department of Interior
Herman Enzer Department of the Interior	Paul Tyson Department of State
Al Fry Environmental Protection Agency	James A. Walker Office of Management & Budget***
S. William Gouse, Jr. Energy Research and Development Administration	William Yost Federal Energy Administration
Harry R. Johnson Department of Interior**	Barbara A. Connor, Secretary Office of Management & Budget
Bruce Pasternack Federal Energy Administration	
Steve Rattien National Science Foundation	

---

\* Now with TRW

\*\* Now with ERDA

\*\*\* Now with State of California Energy Commission

B. TECHNOLOGY AND INCENTIVES WORKING GROUP

- H. R. Johnson, Chairman, DOI
- Utility/Industrial Fuels Subgroup
  - S. W. Gouse, Chairman, ERDA
  - P. Musser, Vice-Chairman, ERDA
  - F. Cooper, DOI
  - M. Reilly, DOI
  - H. Joy, FEA
  - M. Wong, TRW
  - C. Bolex, Gilbert Associates
- Syncrude and Refined Products from Coal
  - S. W. Gouse, Chairman, ERDA
  - M. Neuworth, Vice-Chairman, ERDA
  - R. Corey, ERDA
  - J. Ogren, TRW
- Shale Oil
  - H. R. Johnson, Chairman, DOI
  - J. Ramsay, Vice-Chairman, ERDA
  - H. Bennet, DOI
  - L. Schramm, DOI
  - H. Enzer, DOI
  - H. Carpenter, ERDA
  - P. Gallo, FEA
  - Lt. B. Benroth, USN
  - Cdr. P. Petzrick, USN
  - J. Jones, DOI
  - J. Ogren, TRW
- Biomass Fuels
  - J. S. Tosh, Chairman, ERDA
  - B. Blaustein, Vice-Chairman, ERDA
  - J. Abrahams, ERDA
  - E. Del Bel, ERDA
  - J. Burney, FEA
  - R. Lowe, EPA
  - H. Poppleton, DOI, BuM
  - B. Matthews, TRW
  - D. Tillman, MAI

● High Btu Gas from Coal

D. K. Hawes, Chairman, FEA

W. W. McClanahan, FEA

E. Miller, OMB

R. Daniels, ERDA

R. Waller, Treasury

L. Brubaker, FPC

P. Yanowsky, DOI, BuM

P. Schumaier, FEA

J. Heffernan, FEA

● Process Economics

S. Katell, Chief, Chairman, DOI

K. Plants, DOI

L. Berkshire, DOI

● Technology/Incentive Integration

H. R. Johnson, Chairman, DOI

E. Bender, TRW

I. Yee, TRW

S. Cohen, TRW

S. Altschuler, TRW

J. Seidman, TRW

D. Fisher, ERDA

J. Hammett, TRW

● Consultants

Battelle (Resource Requirements) . . . . . D. Jenkins  
G. Juris

Cameron Engineering (Land Ownership  
Status) . . . . . J. Baker

Peter Way Associates . . . . . P. Way

Resource Planning Associates, Inc.  
(Economics) . . . . . R. S. Bowden  
J. F. Foran

C. COST AND BENEFIT WORKING GROUP

- Bruce Pasternack, Chairman, FEA  
Robert Kelly, Vice-Chairman, FEA

Bruce Humphrey, DOC  
Dick Livingston, EPA  
Joellyn Murphy, OMB  
David Peters, FEA  
Steve Rattien, NSF  
Henry Santiago, FEA  
Francie Schwartzstein, FEA  
Marvin Singer, CEQ  
Peter Tosini, Treasury  
James A. Walker, OMB  
Jim Weber, OMB

- Consultants

Harry Perry, NERA  
John Bell, MIT  
  
Stanford Research Institute  
  
Edward Cazalet (lead)  
Warner North  
Ronald Howard  
Dale Nesbitt  
Steve Tani  
Horace Brock  
Robert Fullen  
William Rousseau  
Paul Skov  
James Matheson

D. ENVIRONMENTAL ANALYSIS WORKING GROUP

- Nicolai Timenes, Jr., Chairman, DOI  
Matthew J. Reilly, Vice-Chairman, ERDA  
Richard Bernknopf, DOI  
Harry R. Johnson, DOI  
E. A. Seaman, DOI  
Jeffrey H. Goodman, DOI  
Joe Blum, DOI  
Lillian Stone, DOI  
Lou Mauro, DOI  
Ward E. Protsman, FEA  
Danial A. Jones, FEA  
Randolph Newton, ERDA  
Howard Smith, ERDA  
Charlie Albrecht, DOI

Richard C. Corey, ERDA  
Joellyn Murphy, OMB  
Albert Fry, EPA  
Richard Liningstone, EPA  
John Abrahams, ERDA  
Howard Jensen, ERDA  
Chris W. Knudsen, DOI  
Murray Schulman, ERDA  
David Ballantine, ERDA  
Douglas James, ERDA  
William Mott, ERDA  
Paul Wieber, ERDA

● Consultants

Stephen H. Lubore, MITRE  
John T. Stone, MITRE  
Ernest P. Krajewski, MITRE  
Jack Golden, MITRE  
Stuart A. Haus, MITRE  
Roland L. Robertson, TRW

E. PRODUCTION ANALYSIS WORKING GROUP

- E. J. Myerson, Co-Chairman, FEA  
Joseph P. Cappello, Co-Chairman, ERDA  
Robert Perry, NASA  
Mark Kroemer, NASA  
Ozzie Davis, FEA  
Edward Luthy, FEA  
Robert Benny, FEA  
John Fulks, NASA  
Jack Horvath, NASA  
David Crawford, Treasury  
Stephen Mournighan, ERDA  
E. Edward Larson, ERDA  
J. J. Conway, FEA  
Matha T. Martinex, FEA

● Consultants

Don Sowle Associates, Inc., Don Sowle  
Don Kornerich (Sole Contractor)

F. LEGISLATION AND ORGANIZATION WORKING GROUP

- Ken Glozer, Chairman  
Jack Appleman, OMB  
Charles Dewey, Vice-Chairman  
  
Margaret Carpenter, OMB  
Charles Dick, OMB



Bob Forst, ERDA  
Steve Gottlieb, OMB\*  
Don Hawes, FEA  
Hudson Reagan, ERDA

---

\* Now with TRW

**BLANK PAGE**