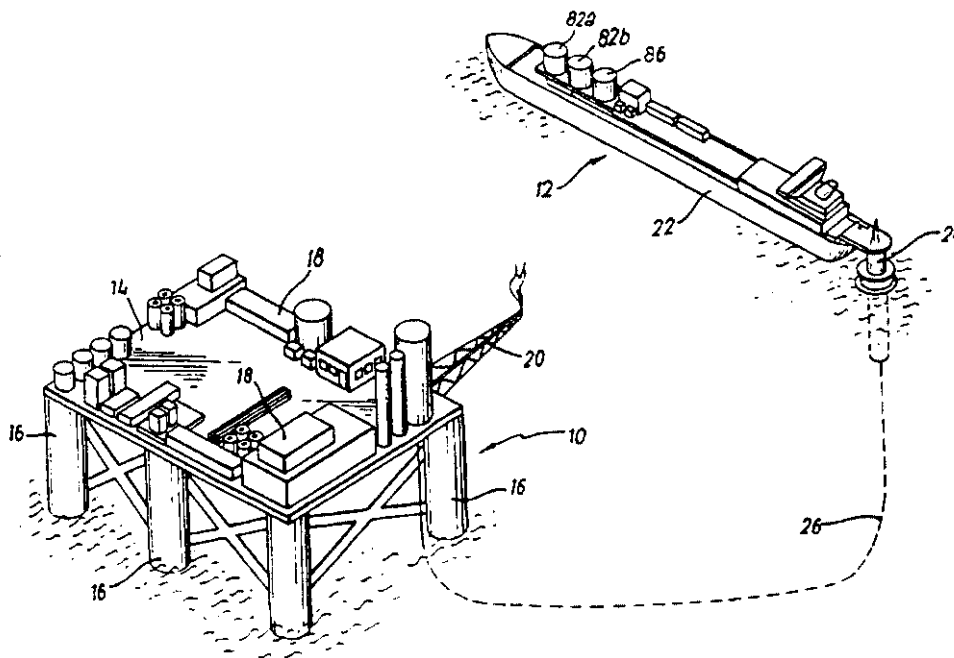




INTE

<p>(51) International Patent Classification ⁵ : B63B 35/44</p>	<p>A1</p>	<p>(11) International Publication Number: WO 94/21512 (43) International Publication Date: 29 September 1994 (29.09.94)</p>
<p>(21) International Application Number: PCT/GB94/00636 (22) International Filing Date: 25 March 1994 (25.03.94) (30) Priority Data: 9306157.0 25 March 1993 (25.03.93) GB (71) Applicant (for all designated States except US): OFFSHORE PRODUCTION SYSTEMS LIMITED (BS/BS); 1st floor, Euro Canadian Centre, Marlborough Street, Nassau (BS). (72) Inventors; and (75) Inventors/Applicants (for US only): NOBLE, Brian, Leslie [GB/GB]; 1 Bowens Wood, Linto Glade, Forestdale CR0 9LQ (GB). BARNARD, Alexander, Christopher [GB/GB]; Tillycorthie House, Udney, Aberdeenshire (GB). (74) Agent: McCALLUM, Graeme, David; Murgitroyd & Company, 373 Scotland Street, Glasgow G5 8QA (GB).</p>	<p>(81) Designated States: AT, AU, BB, BG, BR, BY, CA, CH, CN, CZ, DE, DK, ES, FI, GB, HU, JP, KP, KR, KZ, LK, LU, LV, MG, MN, MW, NL, NO, NZ, PL, PT, RO, RU, SD, SE, SK, UA, US, UZ, VN, European patent (AT, BE, CH, DE, DK, ES, FR, GB, GR, IE, IT, LU, MC, NL, PT, SE), OAPI patent (BF, BJ, CF, CG, CI, CM, GA, GN, ML, MR, NE, SN, TD, TG).</p> <p>Published With international search report. Before the expiration of the time limit for amending the claims and to be republished in the event of the receipt of amendments.</p>	

(54) Title: FLOATING METHANOL PRODUCTION COMPLEX



(57) Abstract

A system for the production of methanol from an offshore natural gas field comprises a floating production unit (10) in the form of a floating platform. The production unit (10) includes a methane-to-methanol production plant (18). A floating storage unit (12) is spaced apart from the production unit (10) but is coupled to the production unit (10) by a pipeline (26) which conveys produced methanol from the production unit (10) to the storage unit (12).