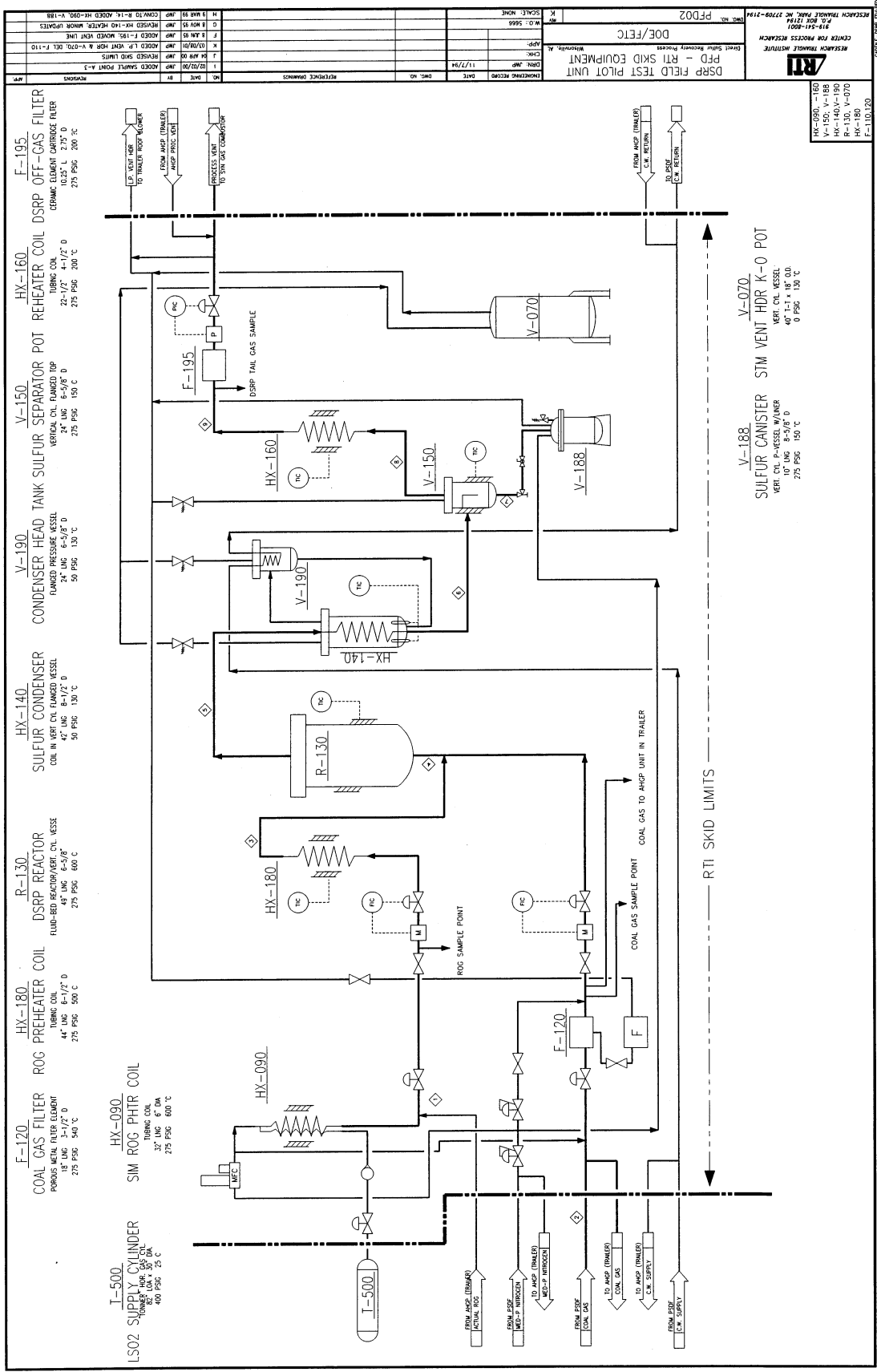
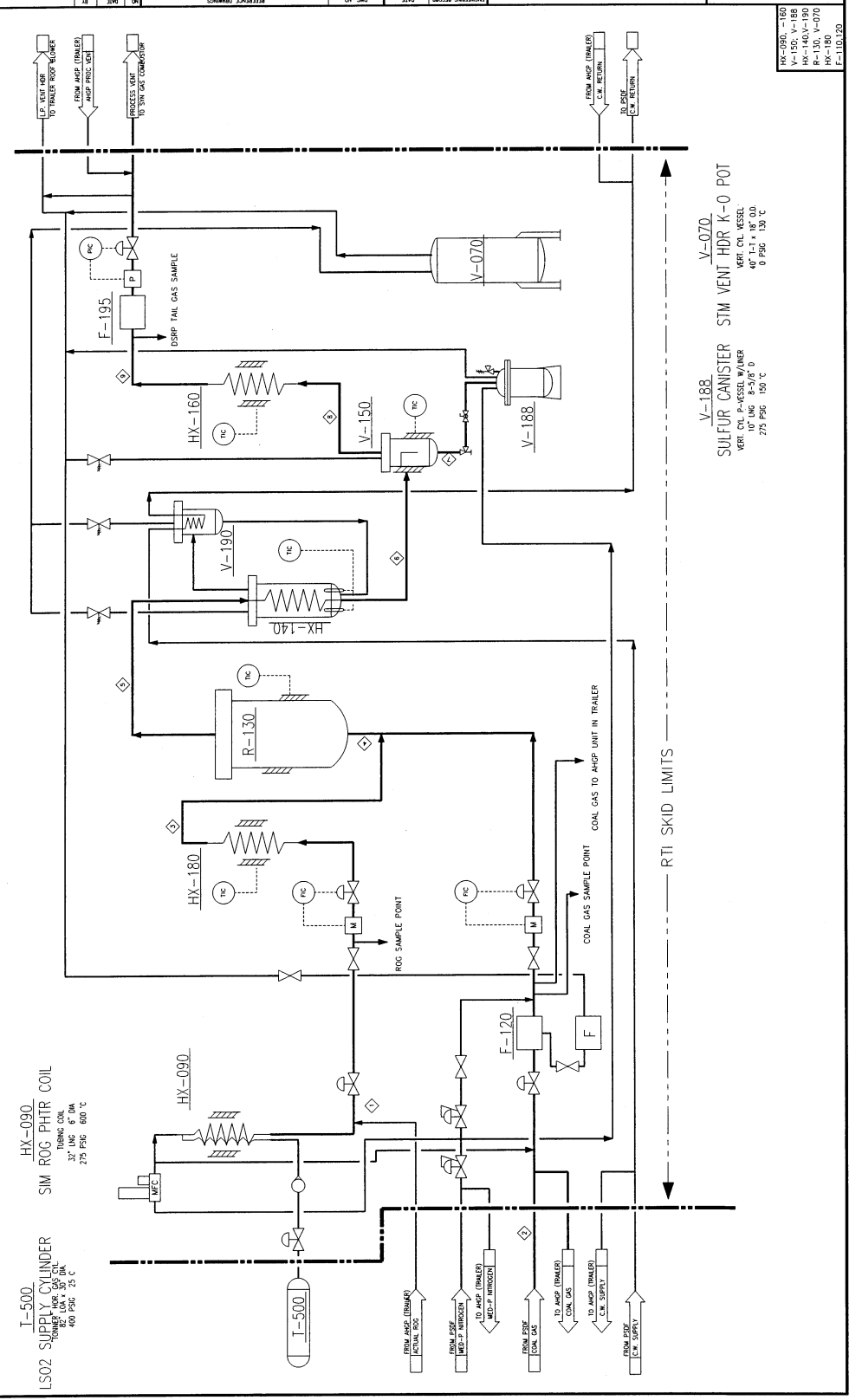


Appendix D

Piping and Instrumentation Diagrams



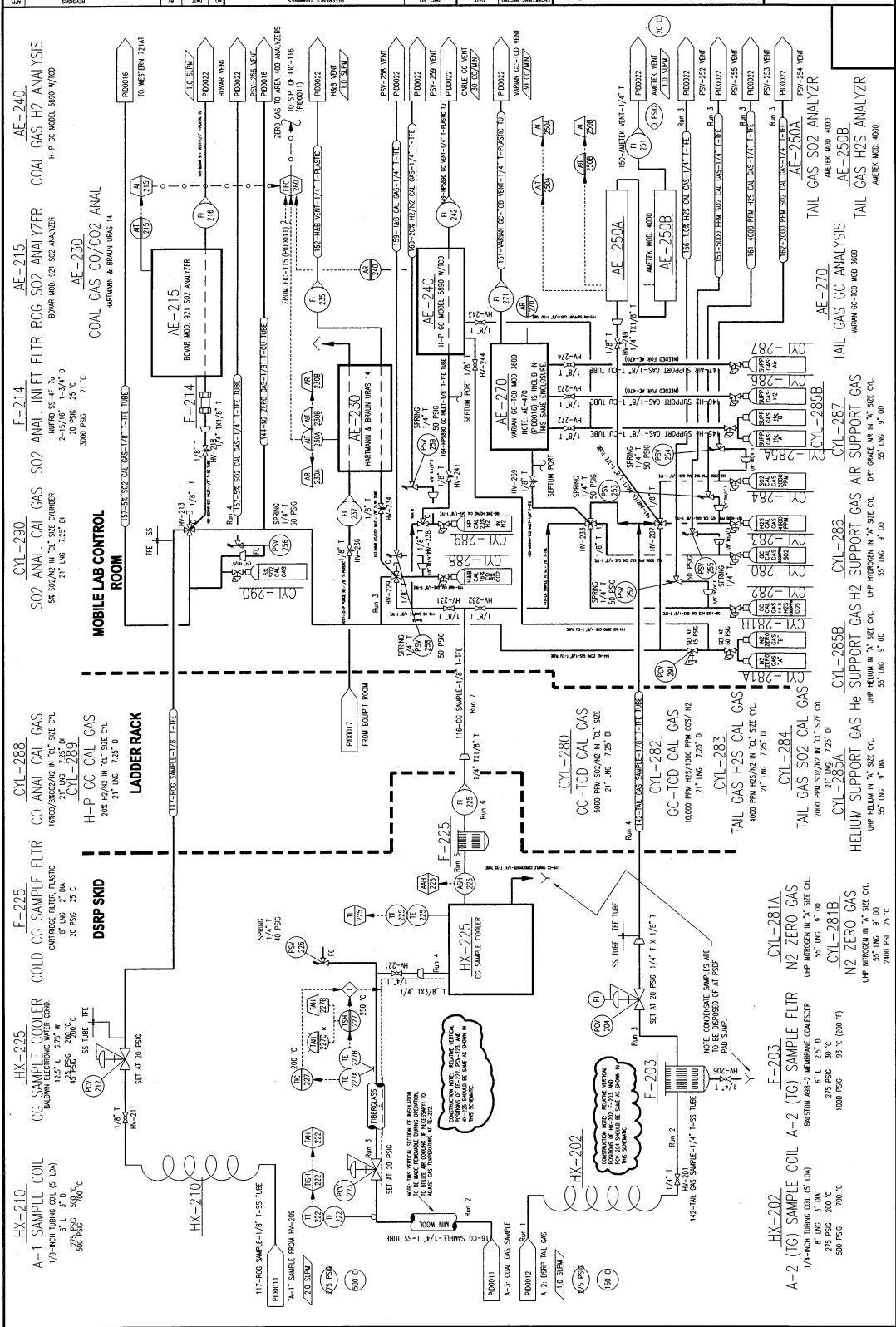
- I-500** LSO2 SUPPLY CYLINDER
TYPE: 50 GAL
30 IN. DIA.
400 PSIG, 25 C
- F-120** COAL GAS FILTER
POROUS METAL FILTER ELEMENT
18" I.D.
275 PSIG, 540 C
- HX-180** ROG PREHEATER COIL
TUBING COIL
44" I.D. x 6-1/2" D
275 PSIG, 500 C
- R-130** DSRP REACTOR
FLUID-BED REACTOR/VERT. CIL. VESSEL
48" I.D. x 6-5/8" D
275 PSIG, 600 C
- HX-140** SULFUR CONDENSER
COIL IN VERT. CIL. FLANGED VESSEL
24" I.D. x 8-1/2" D
50 PSIG, 130 C
- V-190** CONDENSER HEAD TANK
FLANGED PRESSURE VESSEL
24" I.D. x 6-5/8" D
50 PSIG, 130 C
- HX-160** REHEATER COIL
TUBING COIL
22-1/2" x 4-1/2" D
275 PSIG, 200 C
- V-150** SULFUR SEPARATOR POT
VERTICAL CIL. FLANGED TOP
24" I.D. x 6-5/8" D
275 PSIG, 150 C
- F-195** DSRP TAIL GAS SAMPLE
CERAMIC ELEMENT CARRIAGE FILTER
10.25" L. x 2.75" D
275 PSIG, 200 C



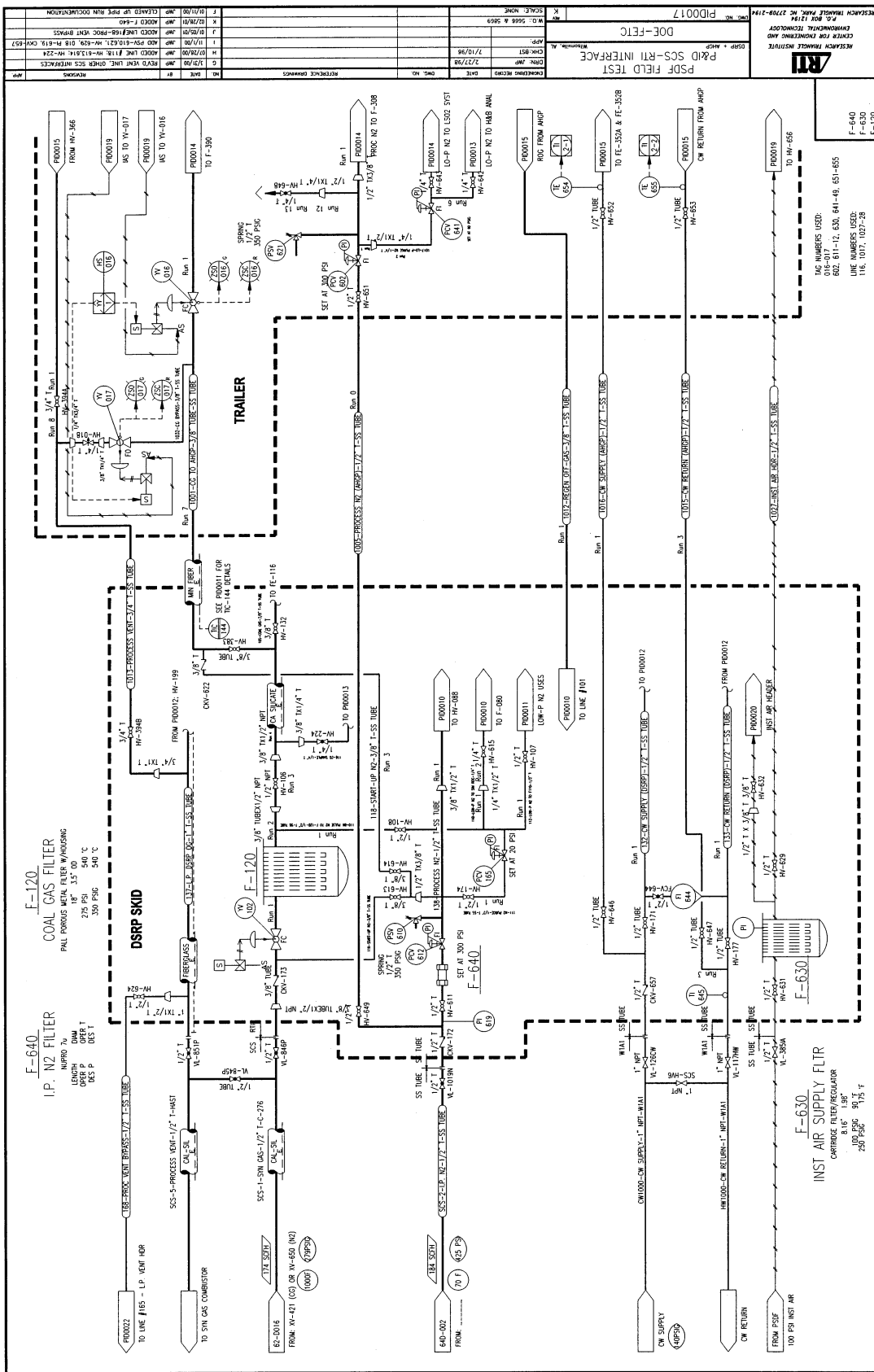
- V-188** SULFUR CANISTER
VERT. CIL. P-VESSEL W/INGR
10" I.D. x 8-5/8" D
275 PSIG, 150 C
- V-070** SULFUR VENT HDR K-0 POT
VERT. CIL. VESSEL
40" I.D. x 18" O.D.
0 PSIG, 130 C

NO.	DATE	BY	DESCRIPTION
1	02/02/00	ACED	SAMPLE POINT A-3
2	02/02/00	ACED	SKID LIMITS
3	02/02/00	ACED	LP VENT HDR
4	02/02/00	ACED	FROM AMP (TRAILER) C.W. SUPPLY
5	02/02/00	ACED	FROM AMP (TRAILER) C.W. RETURN
6	02/02/00	ACED	FROM AMP (TRAILER) COIL GAS
7	02/02/00	ACED	TO AMP (TRAILER) COIL GAS
8	02/02/00	ACED	FROM AMP (TRAILER) C.W. SUPPLY
9	02/02/00	ACED	FROM AMP (TRAILER) C.W. RETURN
10	02/02/00	ACED	FROM AMP (TRAILER) C.W. SUPPLY
11	02/02/00	ACED	FROM AMP (TRAILER) C.W. RETURN
12	02/02/00	ACED	FROM AMP (TRAILER) C.W. SUPPLY
13	02/02/00	ACED	FROM AMP (TRAILER) C.W. RETURN
14	02/02/00	ACED	FROM AMP (TRAILER) C.W. SUPPLY
15	02/02/00	ACED	FROM AMP (TRAILER) C.W. RETURN
16	02/02/00	ACED	FROM AMP (TRAILER) C.W. SUPPLY
17	02/02/00	ACED	FROM AMP (TRAILER) C.W. RETURN
18	02/02/00	ACED	FROM AMP (TRAILER) C.W. SUPPLY
19	02/02/00	ACED	FROM AMP (TRAILER) C.W. RETURN
20	02/02/00	ACED	FROM AMP (TRAILER) C.W. SUPPLY
21	02/02/00	ACED	FROM AMP (TRAILER) C.W. RETURN
22	02/02/00	ACED	FROM AMP (TRAILER) C.W. SUPPLY
23	02/02/00	ACED	FROM AMP (TRAILER) C.W. RETURN
24	02/02/00	ACED	FROM AMP (TRAILER) C.W. SUPPLY
25	02/02/00	ACED	FROM AMP (TRAILER) C.W. RETURN
26	02/02/00	ACED	FROM AMP (TRAILER) C.W. SUPPLY
27	02/02/00	ACED	FROM AMP (TRAILER) C.W. RETURN
28	02/02/00	ACED	FROM AMP (TRAILER) C.W. SUPPLY
29	02/02/00	ACED	FROM AMP (TRAILER) C.W. RETURN
30	02/02/00	ACED	FROM AMP (TRAILER) C.W. SUPPLY
31	02/02/00	ACED	FROM AMP (TRAILER) C.W. RETURN
32	02/02/00	ACED	FROM AMP (TRAILER) C.W. SUPPLY
33	02/02/00	ACED	FROM AMP (TRAILER) C.W. RETURN
34	02/02/00	ACED	FROM AMP (TRAILER) C.W. SUPPLY
35	02/02/00	ACED	FROM AMP (TRAILER) C.W. RETURN
36	02/02/00	ACED	FROM AMP (TRAILER) C.W. SUPPLY
37	02/02/00	ACED	FROM AMP (TRAILER) C.W. RETURN
38	02/02/00	ACED	FROM AMP (TRAILER) C.W. SUPPLY
39	02/02/00	ACED	FROM AMP (TRAILER) C.W. RETURN
40	02/02/00	ACED	FROM AMP (TRAILER) C.W. SUPPLY
41	02/02/00	ACED	FROM AMP (TRAILER) C.W. RETURN
42	02/02/00	ACED	FROM AMP (TRAILER) C.W. SUPPLY
43	02/02/00	ACED	FROM AMP (TRAILER) C.W. RETURN
44	02/02/00	ACED	FROM AMP (TRAILER) C.W. SUPPLY
45	02/02/00	ACED	FROM AMP (TRAILER) C.W. RETURN
46	02/02/00	ACED	FROM AMP (TRAILER) C.W. SUPPLY
47	02/02/00	ACED	FROM AMP (TRAILER) C.W. RETURN
48	02/02/00	ACED	FROM AMP (TRAILER) C.W. SUPPLY
49	02/02/00	ACED	FROM AMP (TRAILER) C.W. RETURN
50	02/02/00	ACED	FROM AMP (TRAILER) C.W. SUPPLY
51	02/02/00	ACED	FROM AMP (TRAILER) C.W. RETURN
52	02/02/00	ACED	FROM AMP (TRAILER) C.W. SUPPLY
53	02/02/00	ACED	FROM AMP (TRAILER) C.W. RETURN
54	02/02/00	ACED	FROM AMP (TRAILER) C.W. SUPPLY
55	02/02/00	ACED	FROM AMP (TRAILER) C.W. RETURN
56	02/02/00	ACED	FROM AMP (TRAILER) C.W. SUPPLY
57	02/02/00	ACED	FROM AMP (TRAILER) C.W. RETURN
58	02/02/00	ACED	FROM AMP (TRAILER) C.W. SUPPLY
59	02/02/00	ACED	FROM AMP (TRAILER) C.W. RETURN
60	02/02/00	ACED	FROM AMP (TRAILER) C.W. SUPPLY
61	02/02/00	ACED	FROM AMP (TRAILER) C.W. RETURN
62	02/02/00	ACED	FROM AMP (TRAILER) C.W. SUPPLY
63	02/02/00	ACED	FROM AMP (TRAILER) C.W. RETURN
64	02/02/00	ACED	FROM AMP (TRAILER) C.W. SUPPLY
65	02/02/00	ACED	FROM AMP (TRAILER) C.W. RETURN
66	02/02/00	ACED	FROM AMP (TRAILER) C.W. SUPPLY
67	02/02/00	ACED	FROM AMP (TRAILER) C.W. RETURN
68	02/02/00	ACED	FROM AMP (TRAILER) C.W. SUPPLY
69	02/02/00	ACED	FROM AMP (TRAILER) C.W. RETURN
70	02/02/00	ACED	FROM AMP (TRAILER) C.W. SUPPLY
71	02/02/00	ACED	FROM AMP (TRAILER) C.W. RETURN
72	02/02/00	ACED	FROM AMP (TRAILER) C.W. SUPPLY
73	02/02/00	ACED	FROM AMP (TRAILER) C.W. RETURN
74	02/02/00	ACED	FROM AMP (TRAILER) C.W. SUPPLY
75	02/02/00	ACED	FROM AMP (TRAILER) C.W. RETURN
76	02/02/00	ACED	FROM AMP (TRAILER) C.W. SUPPLY
77	02/02/00	ACED	FROM AMP (TRAILER) C.W. RETURN
78	02/02/00	ACED	FROM AMP (TRAILER) C.W. SUPPLY
79	02/02/00	ACED	FROM AMP (TRAILER) C.W. RETURN
80	02/02/00	ACED	FROM AMP (TRAILER) C.W. SUPPLY
81	02/02/00	ACED	FROM AMP (TRAILER) C.W. RETURN
82	02/02/00	ACED	FROM AMP (TRAILER) C.W. SUPPLY
83	02/02/00	ACED	FROM AMP (TRAILER) C.W. RETURN
84	02/02/00	ACED	FROM AMP (TRAILER) C.W. SUPPLY
85	02/02/00	ACED	FROM AMP (TRAILER) C.W. RETURN
86	02/02/00	ACED	FROM AMP (TRAILER) C.W. SUPPLY
87	02/02/00	ACED	FROM AMP (TRAILER) C.W. RETURN
88	02/02/00	ACED	FROM AMP (TRAILER) C.W. SUPPLY
89	02/02/00	ACED	FROM AMP (TRAILER) C.W. RETURN
90	02/02/00	ACED	FROM AMP (TRAILER) C.W. SUPPLY
91	02/02/00	ACED	FROM AMP (TRAILER) C.W. RETURN
92	02/02/00	ACED	FROM AMP (TRAILER) C.W. SUPPLY
93	02/02/00	ACED	FROM AMP (TRAILER) C.W. RETURN
94	02/02/00	ACED	FROM AMP (TRAILER) C.W. SUPPLY
95	02/02/00	ACED	FROM AMP (TRAILER) C.W. RETURN
96	02/02/00	ACED	FROM AMP (TRAILER) C.W. SUPPLY
97	02/02/00	ACED	FROM AMP (TRAILER) C.W. RETURN
98	02/02/00	ACED	FROM AMP (TRAILER) C.W. SUPPLY
99	02/02/00	ACED	FROM AMP (TRAILER) C.W. RETURN
100	02/02/00	ACED	FROM AMP (TRAILER) C.W. SUPPLY

NO.	DATE	DESCRIPTION
1	02/20/00	ISSUED FOR TESTING
2	02/20/00	ISSUED FOR TESTING
3	02/20/00	ISSUED FOR TESTING
4	02/20/00	ISSUED FOR TESTING
5	02/20/00	ISSUED FOR TESTING
6	02/20/00	ISSUED FOR TESTING
7	02/20/00	ISSUED FOR TESTING
8	02/20/00	ISSUED FOR TESTING
9	02/20/00	ISSUED FOR TESTING
10	02/20/00	ISSUED FOR TESTING
11	02/20/00	ISSUED FOR TESTING
12	02/20/00	ISSUED FOR TESTING
13	02/20/00	ISSUED FOR TESTING
14	02/20/00	ISSUED FOR TESTING
15	02/20/00	ISSUED FOR TESTING
16	02/20/00	ISSUED FOR TESTING
17	02/20/00	ISSUED FOR TESTING
18	02/20/00	ISSUED FOR TESTING
19	02/20/00	ISSUED FOR TESTING
20	02/20/00	ISSUED FOR TESTING



NO.	DATE	DESCRIPTION
1	02/20/00	ISSUED FOR TESTING
2	02/20/00	ISSUED FOR TESTING
3	02/20/00	ISSUED FOR TESTING
4	02/20/00	ISSUED FOR TESTING
5	02/20/00	ISSUED FOR TESTING
6	02/20/00	ISSUED FOR TESTING
7	02/20/00	ISSUED FOR TESTING
8	02/20/00	ISSUED FOR TESTING
9	02/20/00	ISSUED FOR TESTING
10	02/20/00	ISSUED FOR TESTING
11	02/20/00	ISSUED FOR TESTING
12	02/20/00	ISSUED FOR TESTING
13	02/20/00	ISSUED FOR TESTING
14	02/20/00	ISSUED FOR TESTING
15	02/20/00	ISSUED FOR TESTING
16	02/20/00	ISSUED FOR TESTING
17	02/20/00	ISSUED FOR TESTING
18	02/20/00	ISSUED FOR TESTING
19	02/20/00	ISSUED FOR TESTING
20	02/20/00	ISSUED FOR TESTING



NO.	REV.	DESCRIPTION
A	02/25/98	INSTRUMENTS CHECKER'S SIGNATURE
B	01/17/00	CLEARED UP PER RUN OCCUPATION
C	01/21/00	ADDED P54-508
D	01/21/00	ADDED P4-517
E	12/20/00	ADDED P54-508, WORKED W-507

NO.	REV.	DESCRIPTION
A	02/25/98	INSTRUMENTS CHECKER'S SIGNATURE
B	01/17/00	CLEARED UP PER RUN OCCUPATION
C	01/21/00	ADDED P54-508
D	01/21/00	ADDED P4-517
E	12/20/00	ADDED P54-508, WORKED W-507

NO.	REV.	DESCRIPTION
A	02/25/98	INSTRUMENTS CHECKER'S SIGNATURE
B	01/17/00	CLEARED UP PER RUN OCCUPATION
C	01/21/00	ADDED P54-508
D	01/21/00	ADDED P4-517
E	12/20/00	ADDED P54-508, WORKED W-507

NO.	REV.	DESCRIPTION
A	02/25/98	INSTRUMENTS CHECKER'S SIGNATURE
B	01/17/00	CLEARED UP PER RUN OCCUPATION
C	01/21/00	ADDED P54-508
D	01/21/00	ADDED P4-517
E	12/20/00	ADDED P54-508, WORKED W-507

NO.	REV.	DESCRIPTION
A	02/25/98	INSTRUMENTS CHECKER'S SIGNATURE
B	01/17/00	CLEARED UP PER RUN OCCUPATION
C	01/21/00	ADDED P54-508
D	01/21/00	ADDED P4-517
E	12/20/00	ADDED P54-508, WORKED W-507

NO.	REV.	DESCRIPTION
A	02/25/98	INSTRUMENTS CHECKER'S SIGNATURE
B	01/17/00	CLEARED UP PER RUN OCCUPATION
C	01/21/00	ADDED P54-508
D	01/21/00	ADDED P4-517
E	12/20/00	ADDED P54-508, WORKED W-507

NO.	REV.	DESCRIPTION
A	02/25/98	INSTRUMENTS CHECKER'S SIGNATURE
B	01/17/00	CLEARED UP PER RUN OCCUPATION
C	01/21/00	ADDED P54-508
D	01/21/00	ADDED P4-517
E	12/20/00	ADDED P54-508, WORKED W-507

NO.	REV.	DESCRIPTION
A	02/25/98	INSTRUMENTS CHECKER'S SIGNATURE
B	01/17/00	CLEARED UP PER RUN OCCUPATION
C	01/21/00	ADDED P54-508
D	01/21/00	ADDED P4-517
E	12/20/00	ADDED P54-508, WORKED W-507

NO.	REV.	DESCRIPTION
A	02/25/98	INSTRUMENTS CHECKER'S SIGNATURE
B	01/17/00	CLEARED UP PER RUN OCCUPATION
C	01/21/00	ADDED P54-508
D	01/21/00	ADDED P4-517
E	12/20/00	ADDED P54-508, WORKED W-507

NO.	REV.	DESCRIPTION
A	02/25/98	INSTRUMENTS CHECKER'S SIGNATURE
B	01/17/00	CLEARED UP PER RUN OCCUPATION
C	01/21/00	ADDED P54-508
D	01/21/00	ADDED P4-517
E	12/20/00	ADDED P54-508, WORKED W-507

NO.	REV.	DESCRIPTION
A	02/25/98	INSTRUMENTS CHECKER'S SIGNATURE
B	01/17/00	CLEARED UP PER RUN OCCUPATION
C	01/21/00	ADDED P54-508
D	01/21/00	ADDED P4-517
E	12/20/00	ADDED P54-508, WORKED W-507

NO.	REV.	DESCRIPTION
A	02/25/98	INSTRUMENTS CHECKER'S SIGNATURE
B	01/17/00	CLEARED UP PER RUN OCCUPATION
C	01/21/00	ADDED P54-508
D	01/21/00	ADDED P4-517
E	12/20/00	ADDED P54-508, WORKED W-507

NO.	REV.	DESCRIPTION
A	02/25/98	INSTRUMENTS CHECKER'S SIGNATURE
B	01/17/00	CLEARED UP PER RUN OCCUPATION
C	01/21/00	ADDED P54-508
D	01/21/00	ADDED P4-517
E	12/20/00	ADDED P54-508, WORKED W-507

NO.	REV.	DESCRIPTION
A	02/25/98	INSTRUMENTS CHECKER'S SIGNATURE
B	01/17/00	CLEARED UP PER RUN OCCUPATION
C	01/21/00	ADDED P54-508
D	01/21/00	ADDED P4-517
E	12/20/00	ADDED P54-508, WORKED W-507

NO.	REV.	DESCRIPTION
A	02/25/98	INSTRUMENTS CHECKER'S SIGNATURE
B	01/17/00	CLEARED UP PER RUN OCCUPATION
C	01/21/00	ADDED P54-508
D	01/21/00	ADDED P4-517
E	12/20/00	ADDED P54-508, WORKED W-507

NO.	REV.	DESCRIPTION
A	02/25/98	INSTRUMENTS CHECKER'S SIGNATURE
B	01/17/00	CLEARED UP PER RUN OCCUPATION
C	01/21/00	ADDED P54-508
D	01/21/00	ADDED P4-517
E	12/20/00	ADDED P54-508, WORKED W-507

NO.	REV.	DESCRIPTION
A	02/25/98	INSTRUMENTS CHECKER'S SIGNATURE
B	01/17/00	CLEARED UP PER RUN OCCUPATION
C	01/21/00	ADDED P54-508
D	01/21/00	ADDED P4-517
E	12/20/00	ADDED P54-508, WORKED W-507

NO.	REV.	DESCRIPTION
A	02/25/98	INSTRUMENTS CHECKER'S SIGNATURE
B	01/17/00	CLEARED UP PER RUN OCCUPATION
C	01/21/00	ADDED P54-508
D	01/21/00	ADDED P4-517
E	12/20/00	ADDED P54-508, WORKED W-507

NO.	REV.	DESCRIPTION
A	02/25/98	INSTRUMENTS CHECKER'S SIGNATURE
B	01/17/00	CLEARED UP PER RUN OCCUPATION
C	01/21/00	ADDED P54-508
D	01/21/00	ADDED P4-517
E	12/20/00	ADDED P54-508, WORKED W-507

NO.	REV.	DESCRIPTION
A	02/25/98	INSTRUMENTS CHECKER'S SIGNATURE
B	01/17/00	CLEARED UP PER RUN OCCUPATION
C	01/21/00	ADDED P54-508
D	01/21/00	ADDED P4-517
E	12/20/00	ADDED P54-508, WORKED W-507

NO.	REV.	DESCRIPTION
A	02/25/98	INSTRUMENTS CHECKER'S SIGNATURE
B	01/17/00	CLEARED UP PER RUN OCCUPATION
C	01/21/00	ADDED P54-508
D	01/21/00	ADDED P4-517
E	12/20/00	ADDED P54-508, WORKED W-507

NO.	REV.	DESCRIPTION
A	02/25/98	INSTRUMENTS CHECKER'S SIGNATURE
B	01/17/00	CLEARED UP PER RUN OCCUPATION
C	01/21/00	ADDED P54-508
D	01/21/00	ADDED P4-517
E	12/20/00	ADDED P54-508, WORKED W-507

NO.	REV.	DESCRIPTION
A	02/25/98	INSTRUMENTS CHECKER'S SIGNATURE
B	01/17/00	CLEARED UP PER RUN OCCUPATION
C	01/21/00	ADDED P54-508
D	01/21/00	ADDED P4-517
E	12/20/00	ADDED P54-508, WORKED W-507

NO.	REV.	DESCRIPTION
A	02/25/98	INSTRUMENTS CHECKER'S SIGNATURE
B	01/17/00	CLEARED UP PER RUN OCCUPATION
C	01/21/00	ADDED P54-508
D	01/21/00	ADDED P4-517
E	12/20/00	ADDED P54-508, WORKED W-507

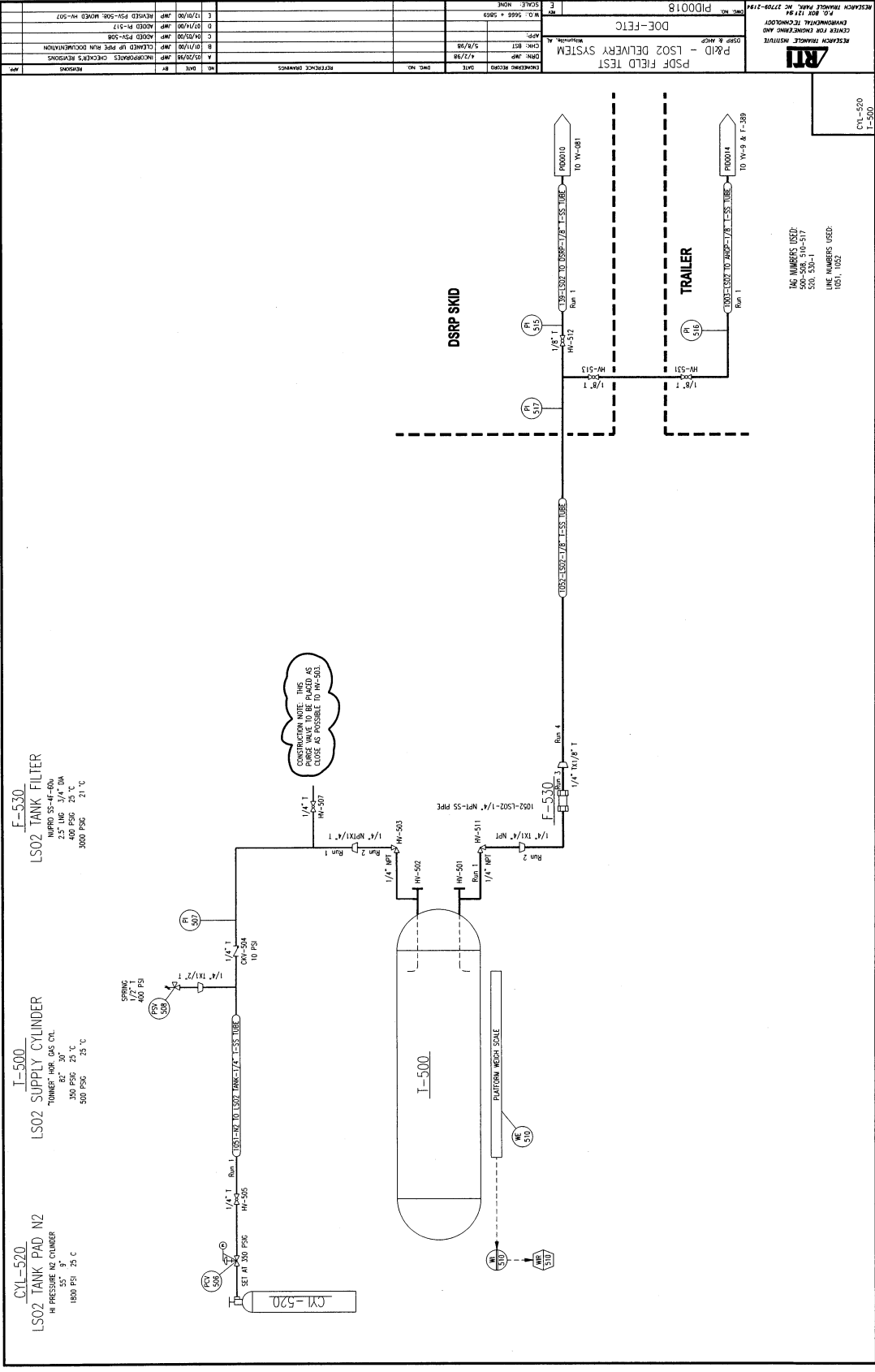
NO.	REV.	DESCRIPTION
A	02/25/98	INSTRUMENTS CHECKER'S SIGNATURE
B	01/17/00	CLEARED UP PER RUN OCCUPATION
C	01/21/00	ADDED P54-508
D	01/21/00	ADDED P4-517
E	12/20/00	ADDED P54-508, WORKED W-507

NO.	REV.	DESCRIPTION
A	02/25/98	INSTRUMENTS CHECKER'S SIGNATURE
B	01/17/00	CLEARED UP PER RUN OCCUPATION
C	01/21/00	ADDED P54-508
D	01/21/00	ADDED P4-517
E	12/20/00	ADDED P54-508, WORKED W-507

NO.	REV.	DESCRIPTION
A	02/25/98	INSTRUMENTS CHECKER'S SIGNATURE
B	01/17/00	CLEARED UP PER RUN OCCUPATION
C	01/21/00	ADDED P54-508
D	01/21/00	ADDED P4-517
E	12/20/00	ADDED P54-508, WORKED W-507

NO.	REV.	DESCRIPTION
A	02/25/98	INSTRUMENTS CHECKER'S SIGNATURE
B	01/17/00	CLEARED UP PER RUN OCCUPATION
C	01/21/00	ADDED P54-508
D	01/21/00	ADDED P4-517
E	12/20/00	ADDED P54-508, WORKED W-507

NO.	REV.	DESCRIPTION
A	02/25/98	INSTRUMENTS CHECKER'S SIGNATURE
B	01/17/00	CLEARED UP PER RUN OCCUPATION
C	01/21/00	ADDED P54-508
D	01/21/00	ADDED P4-517
E	12/20/00	ADDED P54-508, WORKED W-507



TAG NUMBERS USED:
500-508, 514-517
530, 530-1
LINE NUMBERS USED:
1051, 1052

CYL-520-1
I-500-1



PSDF FIELD TEST
P&ID - LSO2 DELIVERY SYSTEM
DATE: 4/2/98
CHK: RST
APP: 5/3/98

DOE-FETC
PID0018

LOCKING RECORD
DATE: 4/2/98
TIME: 5/3/98

REFERENCE DRAWINGS

REVISIONS

SCALE: NONE
P&ID: 5/3/98

RESEARCH INSTITUTE FOR ENVIRONMENTAL TECHNOLOGY
P.O. BOX 17194
RESEARCH TRIANGLE PARK, NC 27709-2194

